

නො. 1

සමුදාය

සමුදායේ විස්තරය	සමුදායේ අංකය
<p>සමුදායේ විස්තරය: (IUL)266-PR/266/2024/238</p> <p>සමුදායේ අංකය: 26 2024 (අංකය)</p>	1.1
<p>සමුදායේ විස්තරය: 26 2024 (අංකය) සිට 11 2024 (අංකය) දක්වා</p> <p>10:30 දී</p> <p>අංකය: 6527177, 6527182, 6527192</p>	8.1
<p>සමුදායේ විස්තරය: 8 2024 (අංකය)</p> <p>10:30 දී</p> <p>අංකය: 6527177, 6527182, 6527192</p>	9.1
<p>සමුදායේ විස්තරය: 6527177, 6527182, 6527192</p> <p>අංකය: bids@kulhudhuffushicity.gov.mv</p>	9.2
<p>සමුදායේ විස්තරය: 6527177, 6527182, 6527192</p>	13.1
<p>සමුදායේ විස්තරය: 12 2024 (අංකය)</p> <p>10:30 දී</p>	17.1
<p>සමුදායේ විස්තරය: 12 2024 (අංකය)</p> <p>10:30 දී</p>	19.1
<p>සමුදායේ විස්තරය: 6 2024 (අංකය)</p>	22.1
<p>සමුදායේ විස්තරය: 2,400.00 (අංකය)</p>	30.1
<p>සමුදායේ විස්තරය: 2.5% (අංකය)</p>	32.1

24.2. كذا في المادة 2،500،000 (في جداول التكاليف)

تتمتع الشركات العاملة في مجال النقل الكهربائي في كوالدو هاف بحقوق امتياز في تشغيل خطوط النقل الكهربائي في كوالدو هاف.

(أ) الشركة، لا غير، لا يمكن أن يكون لها حصة في الشركات العاملة في مجال النقل الكهربائي في كوالدو هاف، ولا يمكن أن يكون لها حصة في الشركات العاملة في مجال النقل الكهربائي في كوالدو هاف، ولا يمكن أن يكون لها حصة في الشركات العاملة في مجال النقل الكهربائي في كوالدو هاف، ولا يمكن أن يكون لها حصة في الشركات العاملة في مجال النقل الكهربائي في كوالدو هاف.

(ب) في المادة (أ) من القانون رقم 266 لسنة 2024، لا يمكن أن يكون للشركات العاملة في مجال النقل الكهربائي في كوالدو هاف حصة في الشركات العاملة في مجال النقل الكهربائي في كوالدو هاف، ولا يمكن أن يكون للشركات العاملة في مجال النقل الكهربائي في كوالدو هاف حصة في الشركات العاملة في مجال النقل الكهربائي في كوالدو هاف، ولا يمكن أن يكون للشركات العاملة في مجال النقل الكهربائي في كوالدو هاف حصة في الشركات العاملة في مجال النقل الكهربائي في كوالدو هاف.

(ج) في المادة (أ) من القانون رقم 266 لسنة 2024، لا يمكن أن يكون للشركات العاملة في مجال النقل الكهربائي في كوالدو هاف حصة في الشركات العاملة في مجال النقل الكهربائي في كوالدو هاف، ولا يمكن أن يكون للشركات العاملة في مجال النقل الكهربائي في كوالدو هاف حصة في الشركات العاملة في مجال النقل الكهربائي في كوالدو هاف، ولا يمكن أن يكون للشركات العاملة في مجال النقل الكهربائي في كوالدو هاف حصة في الشركات العاملة في مجال النقل الكهربائي في كوالدو هاف.

(د) في المادة (أ) من القانون رقم 266 لسنة 2024، لا يمكن أن يكون للشركات العاملة في مجال النقل الكهربائي في كوالدو هاف حصة في الشركات العاملة في مجال النقل الكهربائي في كوالدو هاف، ولا يمكن أن يكون للشركات العاملة في مجال النقل الكهربائي في كوالدو هاف حصة في الشركات العاملة في مجال النقل الكهربائي في كوالدو هاف، ولا يمكن أن يكون للشركات العاملة في مجال النقل الكهربائي في كوالدو هاف حصة في الشركات العاملة في مجال النقل الكهربائي في كوالدو هاف.

shartlarini o'z ichiga olgan, shuning uchun qonunlar va hujjatlar to'plamida...

32.3. Qonunlar va hujjatlar to'plamida... shartlarini o'z ichiga olgan...

32.4. Qonunlar va hujjatlar to'plamida... shartlarini o'z ichiga olgan...

32.5. Qonunlar va hujjatlar to'plamida... shartlarini o'z ichiga olgan...

33.1. Qonunlar va hujjatlar to'plamida... shartlarini o'z ichiga olgan...

33. Qonunlar va hujjatlar to'plamida...

33.2. Qonunlar va hujjatlar to'plamida... shartlarini o'z ichiga olgan...

33.3. Qonunlar va hujjatlar to'plamida... shartlarini o'z ichiga olgan...

"...
..."

33.4 ...
...
...
...
...
...
...
...
...
...

(1) ...
...
...

(1) ...
...
...

(2) ...
...

(3) ...
...

(4) ...
...
...
...

34.1 ...
...
...

34 ...
...
...

(ሀይማኖት) ተባብሮ የሚገኝ ስም ይጠቀም ለማድረግ የሚያስፈልገውን ሰነድ ለማሰጠት የሚያስፈልገውን ሰነድ

(ሀ) ስም ይጠቀም የሚገኝ ስም 11:03 ሰዓት ስም ይጠቀም ለማድረግ የሚያስፈልገውን ሰነድ ለማሰጠት የሚያስፈልገውን ሰነድ

37.1. ስም ይጠቀም ለማድረግ የሚያስፈልገውን ሰነድ ለማሰጠት የሚያስፈልገውን ሰነድ ለማሰጠት የሚያስፈልገውን ሰነድ

37. ስም ይጠቀም ለማድረግ የሚያስፈልገውን ሰነድ ለማሰጠት የሚያስፈልገውን ሰነድ ለማሰጠት የሚያስፈልገውን ሰነድ

(1) ስም ይጠቀም ለማድረግ የሚያስፈልገውን ሰነድ ለማሰጠት የሚያስፈልገውን ሰነድ ለማሰጠት የሚያስፈልገውን ሰነድ

(2) ስም ይጠቀም ለማድረግ የሚያስፈልገውን ሰነድ ለማሰጠት የሚያስፈልገውን ሰነድ ለማሰጠት የሚያስፈልገውን ሰነድ

(3) ስም ይጠቀም ለማድረግ የሚያስፈልገውን ሰነድ ለማሰጠት የሚያስፈልገውን ሰነድ ለማሰጠት የሚያስፈልገውን ሰነድ

(4) ስም ይጠቀም ለማድረግ የሚያስፈልገውን ሰነድ ለማሰጠት የሚያስፈልገውን ሰነድ ለማሰጠት የሚያስፈልገውን ሰነድ

(5) ስም ይጠቀም ለማድረግ የሚያስፈልገውን ሰነድ ለማሰጠት የሚያስፈልገውን ሰነድ ለማሰጠት የሚያስፈልገውን ሰነድ

(6) ስም ይጠቀም ለማድረግ የሚያስፈልገውን ሰነድ ለማሰጠት የሚያስፈልገውን ሰነድ ለማሰጠት የሚያስፈልገውን ሰነድ

(7) ስም ይጠቀም ለማድረግ የሚያስፈልገውን ሰነድ ለማሰጠት የሚያስፈልገውን ሰነድ ለማሰጠት የሚያስፈልገውን ሰነድ

(ሀ) ስም ይጠቀም ለማድረግ የሚያስፈልገውን ሰነድ ለማሰጠት የሚያስፈልገውን ሰነድ ለማሰጠት የሚያስፈልገውን ሰነድ

(1) ስም ይጠቀም ለማድረግ የሚያስፈልገውን ሰነድ ለማሰጠት የሚያስፈልገውን ሰነድ ለማሰጠት የሚያስፈልገውን ሰነድ

(2) ስም ይጠቀም ለማድረግ የሚያስፈልገውን ሰነድ ለማሰጠት የሚያስፈልገውን ሰነድ ለማሰጠት የሚያስፈልገውን ሰነድ

«...»
 «...»

(9)

«...»

(10)

«...»

(11)

«...»

(12)

(13)

«...»

(14)

10.28 «...»

(15)

«...»

(س) «...»

«...»

«...»

«...»

3 - ضمیمہ

گورنمنٹ ڈسٹرکٹ اتھارٹی کے لیے ضمیمہ

38.1 ڈسٹرکٹ اتھارٹی "گورنمنٹ ڈسٹرکٹ اتھارٹی" کے لیے ضمیمہ، اور ڈسٹرکٹ اتھارٹی کے لیے ضمیمہ

38.2 "گورنمنٹ ڈسٹرکٹ اتھارٹی" کے لیے ضمیمہ، اور ڈسٹرکٹ اتھارٹی کے لیے ضمیمہ

38.3 "گورنمنٹ ڈسٹرکٹ اتھارٹی" کے لیے ضمیمہ، اور ڈسٹرکٹ اتھارٹی کے لیے ضمیمہ

38.4 "گورنمنٹ ڈسٹرکٹ اتھارٹی" کے لیے ضمیمہ، اور ڈسٹرکٹ اتھارٹی کے لیے ضمیمہ

38.5 "گورنمنٹ ڈسٹرکٹ اتھارٹی" کے لیے ضمیمہ، اور ڈسٹرکٹ اتھارٹی کے لیے ضمیمہ

38.6 "گورنمنٹ ڈسٹرکٹ اتھارٹی" کے لیے ضمیمہ، اور ڈسٹرکٹ اتھارٹی کے لیے ضمیمہ

"گورنمنٹ ڈسٹرکٹ اتھارٹی" کے لیے ضمیمہ، اور ڈسٹرکٹ اتھارٹی کے لیے ضمیمہ

38.7 "گورنمنٹ ڈسٹرکٹ اتھارٹی" کے لیے ضمیمہ، اور ڈسٹرکٹ اتھارٹی کے لیے ضمیمہ

39.1 ڈسٹرکٹ اتھارٹی کے لیے ضمیمہ، اور ڈسٹرکٹ اتھارٹی کے لیے ضمیمہ

42.3 උදාහරණයක් ලෙස 2,500,000/- රුපියල් කොටසක් පවුල් කිරීමේදී සහතික කිරීමේදී 0.005 (හතරෙන් එක) (ආරක්ෂක සීමාව) ඊට වඩා වැඩි ප්‍රතිශතයක් වැඩිපුර කොටසක් ලබාදීමට අවකාශයක් ඇත.

$$CP \times 0.005 \times LD = \text{උදාහරණයක් ලෙස}$$

CP (නියෝජිතයාගේ කොටස): නියෝජිතයාගේ උදාහරණයක් ලෙස උදාහරණයක් ලෙස

LD (සුදුසුකම්): නියෝජිතයාගේ උදාහරණයක් ලෙස උදාහරණයක් ලෙස

43.1 43. උදාහරණයක් ලෙස
 උදාහරණයක් ලෙස නියෝජිතයාගේ කොටසක් ලෙස උදාහරණයක් ලෙස උදාහරණයක් ලෙස
 උදාහරණයක් ලෙස නියෝජිතයාගේ කොටසක් ලෙස උදාහරණයක් ලෙස උදාහරණයක් ලෙස
 උදාහරණයක් ලෙස නියෝජිතයාගේ කොටසක් ලෙස උදාහරණයක් ලෙස උදාහරණයක් ලෙස

43.2 උදාහරණයක් ලෙස 15% කොටසක් ලෙස උදාහරණයක් ලෙස උදාහරණයක් ලෙස

43.3 උදාහරණයක් ලෙස උදාහරණයක් ලෙස උදාහරණයක් ලෙස උදාහරණයක් ලෙස

43.4 උදාහරණයක් ලෙස උදාහරණයක් ලෙස උදාහරණයක් ලෙස උදාහරණයක් ලෙස

44.1 44. උදාහරණයක් ලෙස
 උදාහරණයක් ලෙස උදාහරණයක් ලෙස උදාහරණයක් ලෙස උදාහරණයක් ලෙස
 උදාහරණයක් ලෙස උදාහරණයක් ලෙස උදාහරණයක් ලෙස උදාහරණයක් ලෙස
 උදාහරණයක් ලෙස උදාහරණයක් ලෙස උදාහරණයක් ලෙස උදාහරණයක් ලෙස

44.2 උදාහරණයක් ලෙස උදාහරණයක් ලෙස උදාහරණයක් ලෙස උදාහරණයක් ලෙස

45. 45.1 45. 45.1
46. 46.1 46. 46.1
47. 47.1 47. 47.1
48. 48.1 48. 48.1

بخش دوم - 2

دوسرے ضوابط و قواعد

1. دوسرے ضوابط و قواعد کے تحت	
1.1	دوسرے ضوابط و قواعد
1.2	ان کے تحت
2. دوسرے ضوابط و قواعد کے تحت	
2.1	دوسرے ضوابط و قواعد کے تحت
2.2	(IUL)266-PR/266/2024/238
3. دوسرے ضوابط و قواعد کے تحت	
3.1	دوسرے ضوابط و قواعد
	بخش دوم
	بخش دوم (بخش دوم کے تحت)
3.2	بخش دوم: (بخش دوم کے تحت)
4. دوسرے ضوابط و قواعد کے تحت	
4.1	دوسرے ضوابط و قواعد کے تحت
	دوسرے ضوابط و قواعد کے تحت
	دوسرے ضوابط و قواعد کے تحت
4.2	دوسرے ضوابط و قواعد کے تحت
	دوسرے ضوابط و قواعد کے تحت
4.3	دوسرے ضوابط و قواعد کے تحت
	دوسرے ضوابط و قواعد کے تحت
5. دوسرے ضوابط و قواعد کے تحت	
بخش دوم	بخش دوم
	بخش دوم
	بخش دوم
	بخش دوم

6

...

...
90
10
100	...	

ބަންދު ސަލާމަތު 7
(ބަންދު ސަލާމަތު ސަލާމަތު)

Form of Bid Security (Bank Guarantee)

WHEREAS,[name of Bidder] (hereinafter called “the Bidder”) [company registration number] has submitted his Bid for the Project no.....issued by the Secretariat of Kulhudhuffushi City Council onfor construction of[name of Contract] (hereinafter called “the Bid”) under Invitation of bidders No. [Announcement Number]

KNOW ALL PEOPLE by these presents that We [name of Bank] of [name of country] having our registered office at (hereinafter called “the Bank”) are bound unto[name of Purchaser] (hereinafter called “the Purchaser”) in the sum of * for which payment well and truly to be made to the said Purchaser, the Bank binds itself, its successors, and assigns by these presents.

SEALED with the Common Seal of the said Bank thisday of20.....

THE CONDITIONS of this obligation are:

- (1) If, after Bid opening, the Bidder withdraws his Bid during the period of Bid validity specified in the Form of Bid;
- or
- (2) If the Bidder having been notified of the acceptance of his Bid by the Purchaser during the period of Bid validity:
 - (a) fails or refuses to execute the Form of Agreement in accordance with the Instructions to Bidders, if required; or
 - (b) fails or refuses to furnish the Performance Security, in accordance with the Instruction to Bidders; or
 - (c) does not accept the correction of the Bid Price pursuant to Clause 27,

* The Bidder should insert the amount of the Guarantee in words and figures denominated in Maldivian Rufiyaa. This figure should be the same as shown in Clause 28.1 of the Instructions to Bidders.

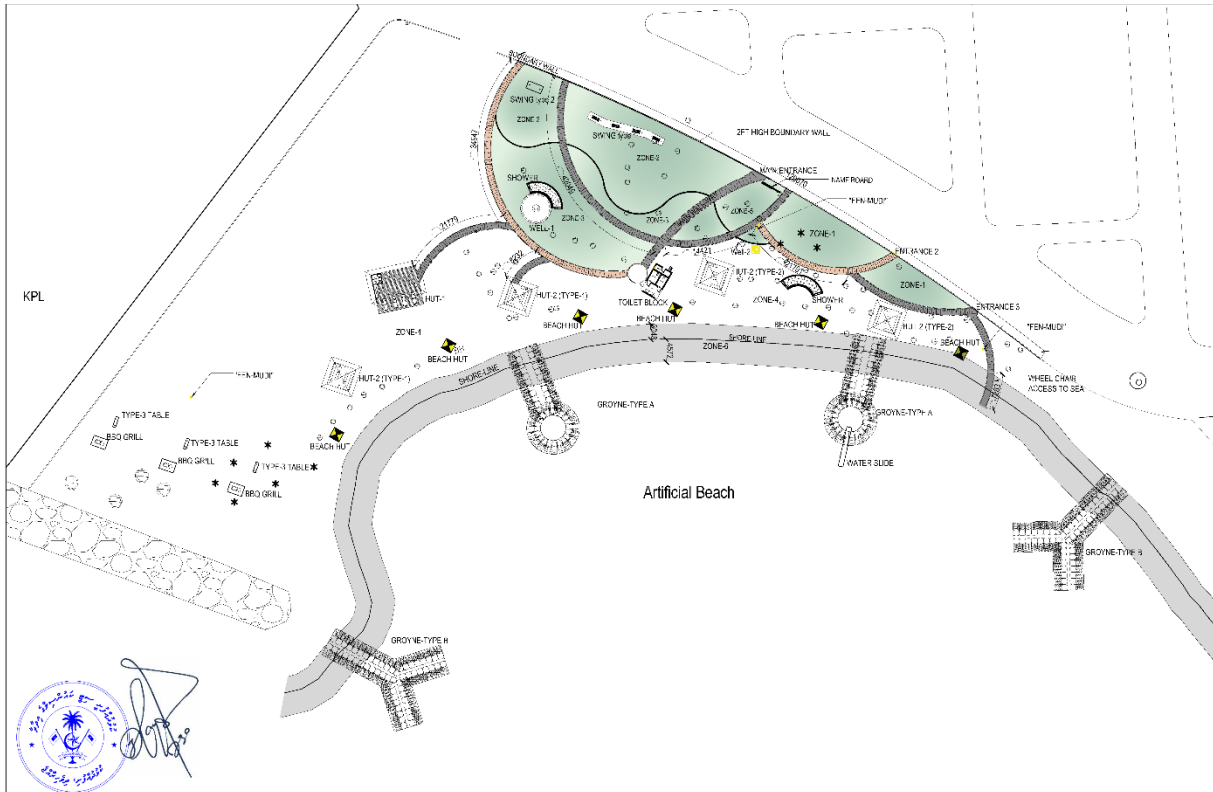
we undertake to pay to the Purchaser up to the above amount upon receipt of his first written demand, without the Purchaser’s having to substantiate his demand, provided that in his demand the Purchaser will note that the amount claimed by him is due to him owing to the occurrence of one or any of the three conditions, specifying the occurred condition or conditions.

This Guarantee will remain in force up to and including the date days after the deadline for submission of bids as such deadline is stated in the Instructions to Bidders or as it may be extended by the Purchaser, notice of which extension(s) to the Bank is hereby waived. Any demand in respect of this Guarantee should reach the Bank not later than the above date.

DATE..... SIGNATURE OF THE BANK

WITNESS SEAL

[signature, name, and address]



SECRETARIAT OF THE KULHUDHUFFUSHI CITY COUNCIL
 AMEENEE MAGU, KULHUDHUFFUSHI CITY, 02110, REP. OF MALDIVES
 TEL: 152 EMAIL: info@kulhudhuffushicity.gov.mv

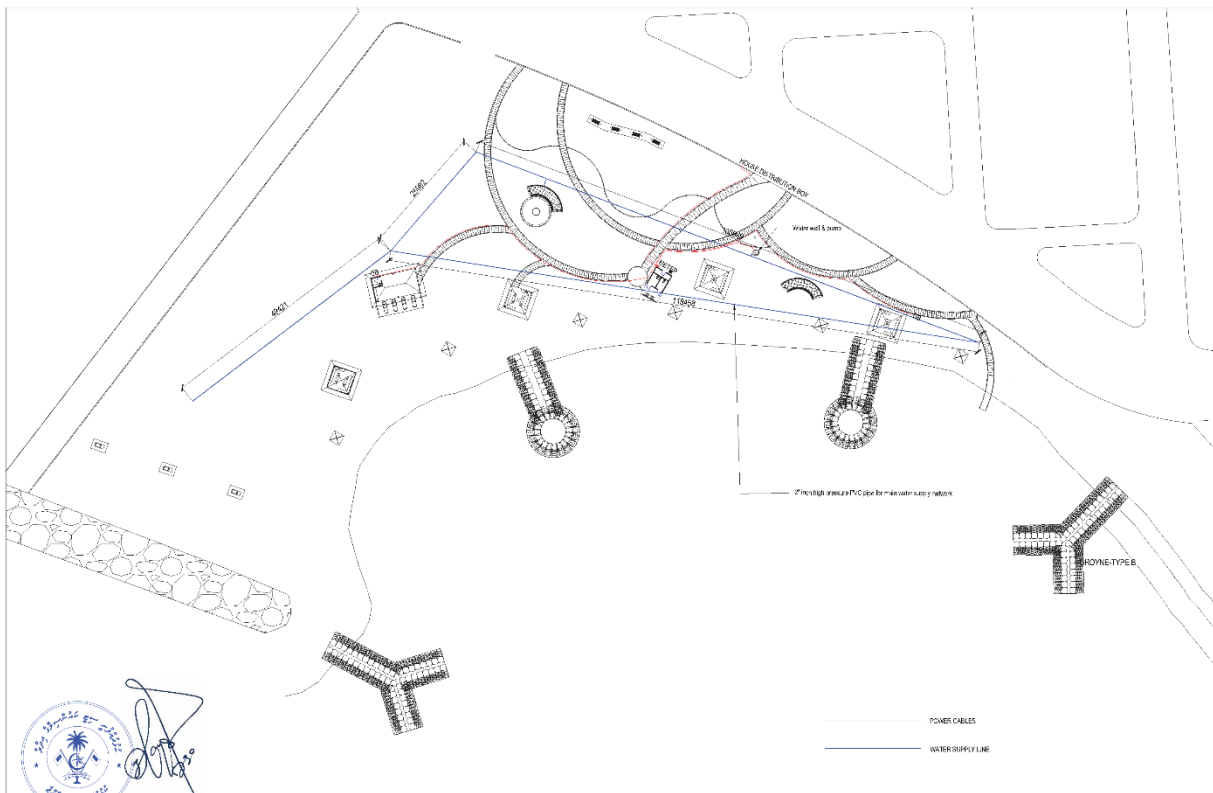
SHEET TITLE:
 BEACH LAYOUT

PROJECT:
 BOAZIYAARIY BEACH DEVELOPMENT

DRAWN BY:
 ADAM MOHAMED
CHECKED BY:
 IMRAN AHMED

DATE: 26 OCTOBER 2024
SCALE: AS GIVEN

PAGE NO:
A1



SECRETARIAT OF THE KULHUDHUFFUSHI CITY COUNCIL
 AMEENEE MAGU, KULHUDHUFFUSHI CITY, 02110, REP. OF MALDIVES
 TEL: 1621 EMAIL: info@kulhudhuffushicity.gov.mv

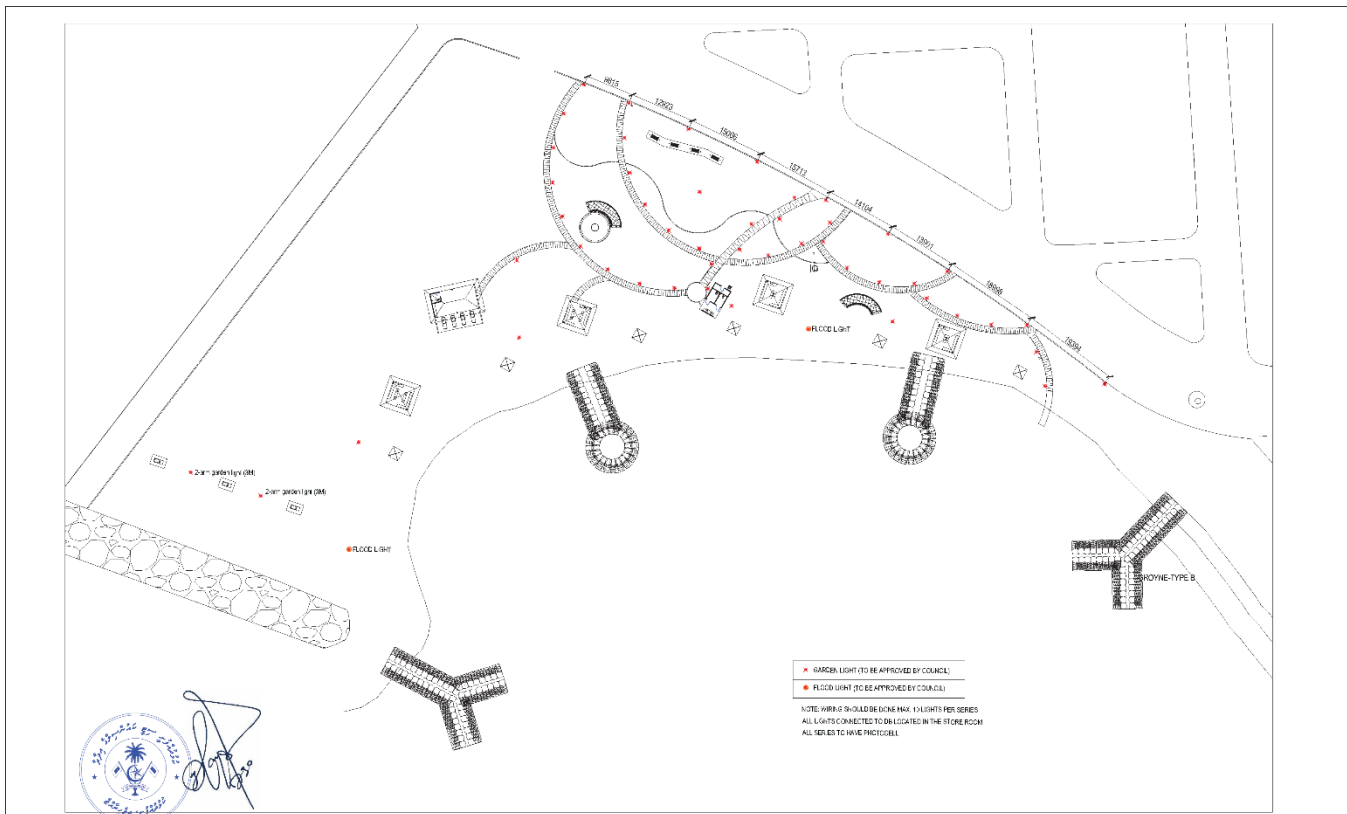
SHEET TITLE:
 POWER LAYOUT
 PLUMBING LAYOUT

PROJECT:
 BOAZIYAARIY BEACH DEVELOPMENT

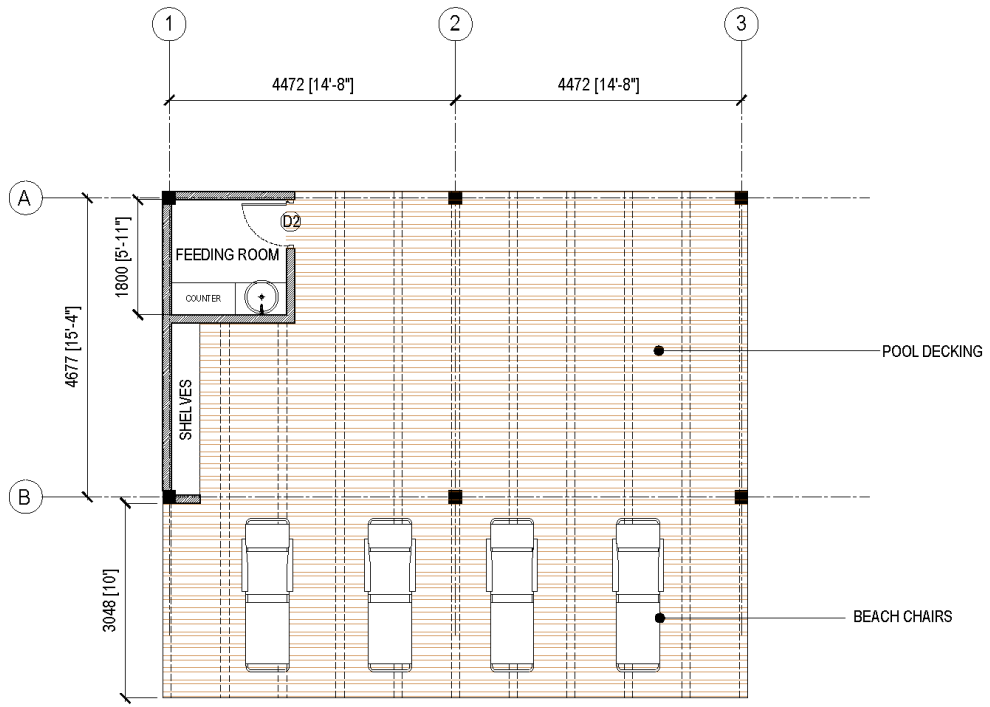
DRAWN BY:
 ADAM MOHAMED
CHECKED BY:
 IMRAN AHMED

DATE: 26 OCTOBER 2024
SCALE: AS GIVEN

PAGE NO:
A2

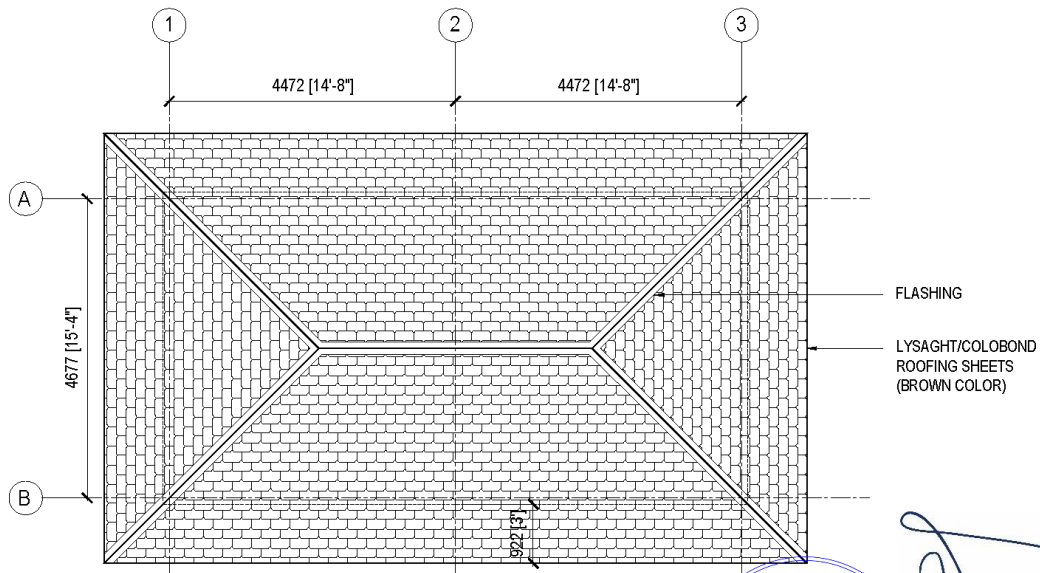


SECRETARIAT OF THE KULHUDHUFFUSHI CITY COUNCIL AMEENEE MAGU, KULHUDHUFFUSHI CITY, 02110, REP. OF MALDIVES TEL: 1621 EMAIL: info@kulhudhuffushicity.gov.mv	SHEET TITLE: GARDEN LIGHTING PLAN	PROJECT: BOAZIYAARIY BEACH DEVELOPMENT	DRAWN BY: ADAM MOHAMED CHECKED BY: IMRAN AHMED	DATE: 26 OCTOBER 2024 SCALE: AS GIVEN	PAGE NO: A3
---	---	--	---	--	------------------------------



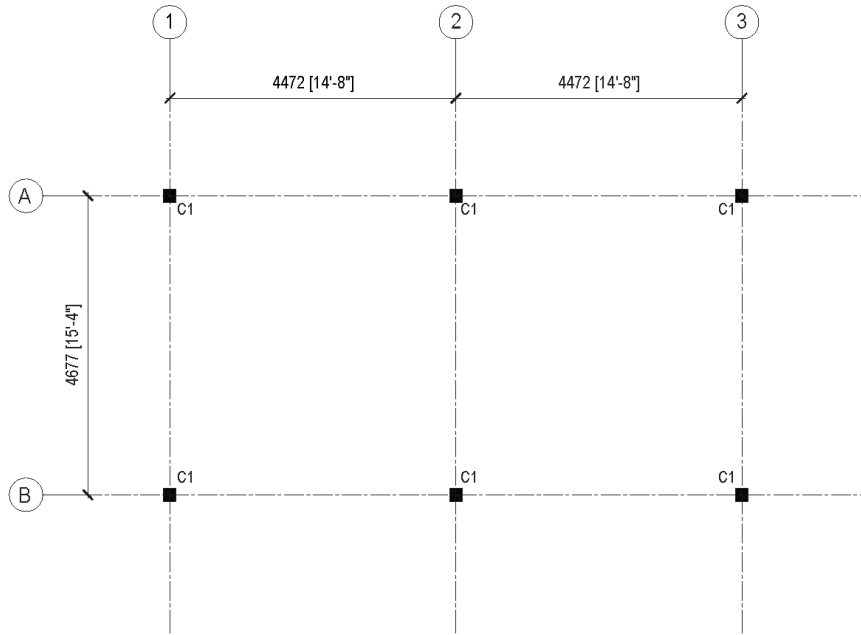
GROUND FLOOR PLAN
SCALE 1:100

NOTE: 100MM SOLID BLOCK WALL
12MM PLASTERING ON BOTH SIDES

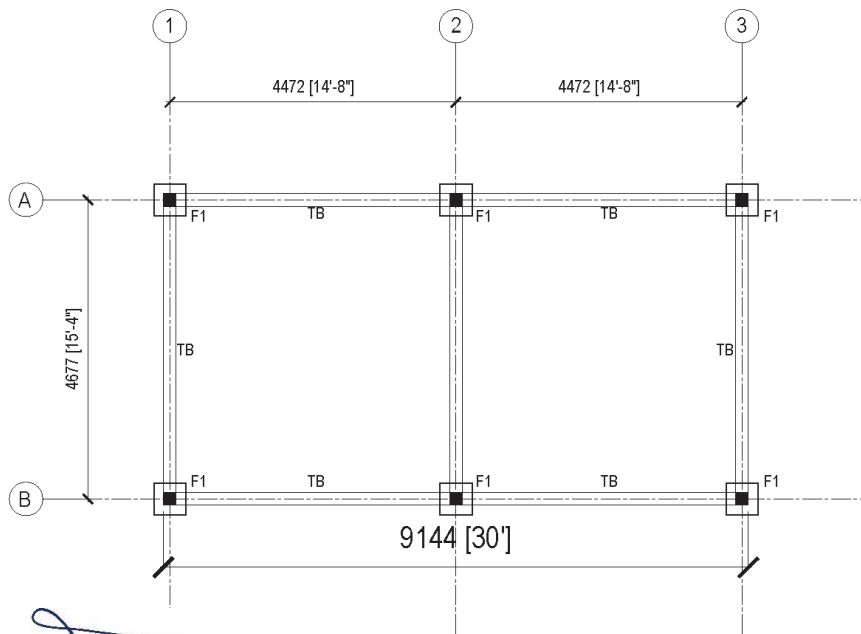


ROOF PLAN
SCALE 1:100

SECRETARIAT OF THE KULHUDHUFFUSHI CITY COUNCIL AMEENE MAGU, KULHUDHUFFUSHI CITY, 02110, REP. OF MALDIVES TEL: 1621 EMAIL: info@kulhudhuffushicity.gov.mv	SHEET TITLE: HUT-1 DRAWINGS	PROJECT: BOAZIYAARIY BEACH DEVELOPMENT	DRAWN BY: ADAM MOHAMED CHECKED BY: IMRAN AHMED	DATE: 26 OCTOBER 2024 SCALE: AS GIVEN	PAGE NO: 01
--	---------------------------------------	--	---	--	-----------------------



COLUMN LOCATION PLAN
SCALE 1:100



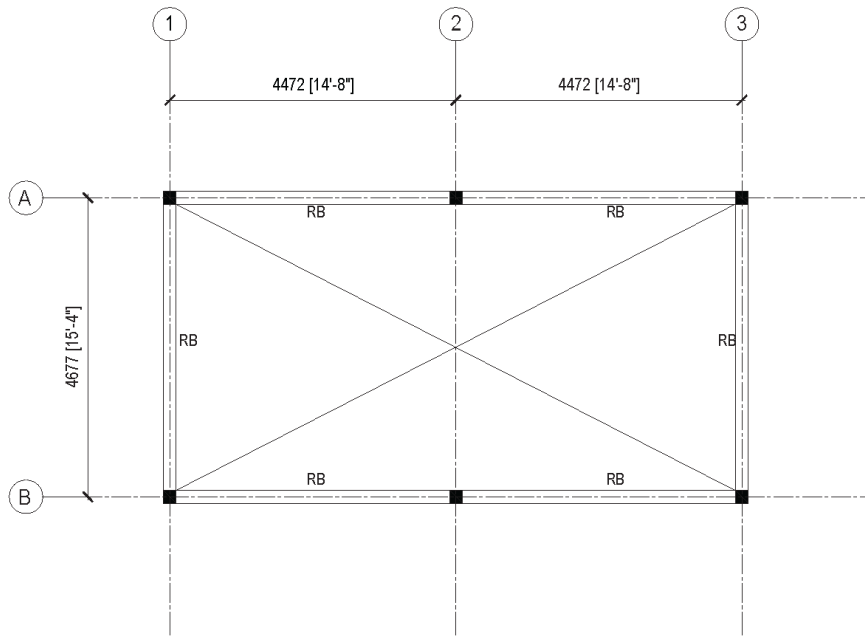
F1-500MMX500MMX200MM [T10@150C/BW BOTTOM]
FOUNDATION DEPTH=600MM FROM NGL



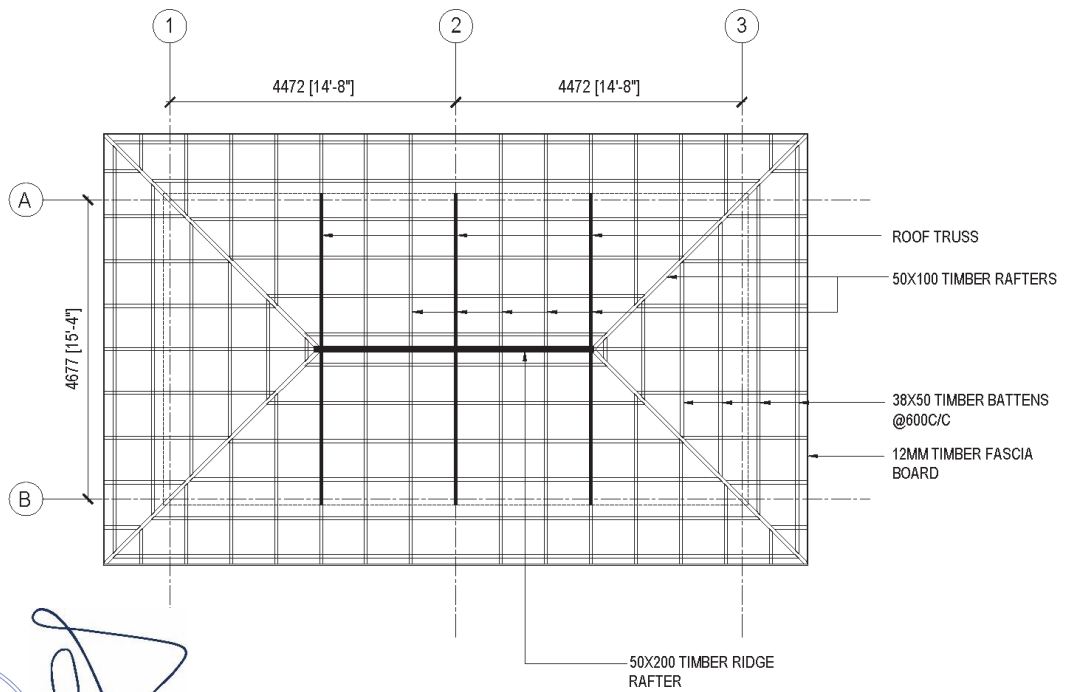
[Handwritten Signature]

JNDATION PLAN
SCALE 1:100

SECRETARIAT OF THE KULHUDHUFFUSHI CITY COUNCIL AMEENEE MAGU, KULHUDHUFFUSHI CITY, (02110, REP. OF MALDIVES) TEL: 1621 EMAIL: info@kulhudhuffushicity.gov.mv	SHEET TITLE: HUT-1 DRAWINGS	PROJECT: BOAZIYAARAY BEACH DEVELOPMENT	DRAWN BY: ADAM MOHAMED CHECKED BY: IMRAN AHMED	DATE: 26 OCTOBER 2024 SCALE: AS GIVEN	PAGE NO: 02
---	--------------------------------	---	---	--	-----------------------



ROOF BEAM PLAN
SCALE 1:100

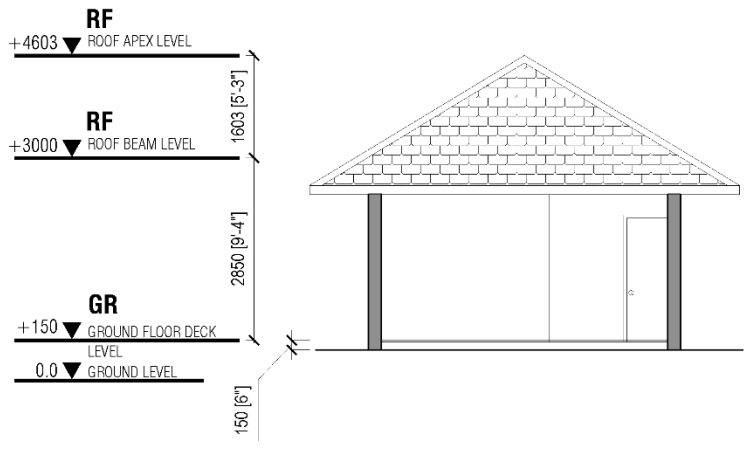


JOIST FRAMING PLAN
SCALE 1:100

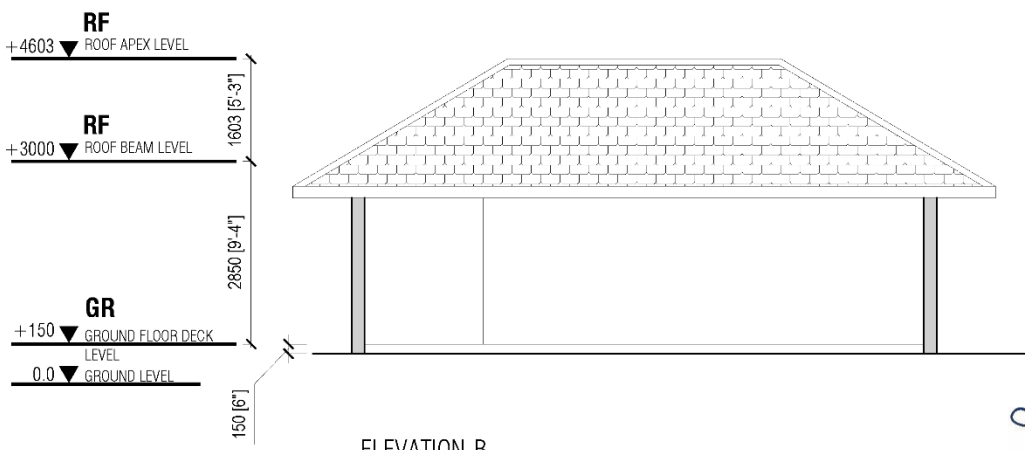


[Handwritten Signature]

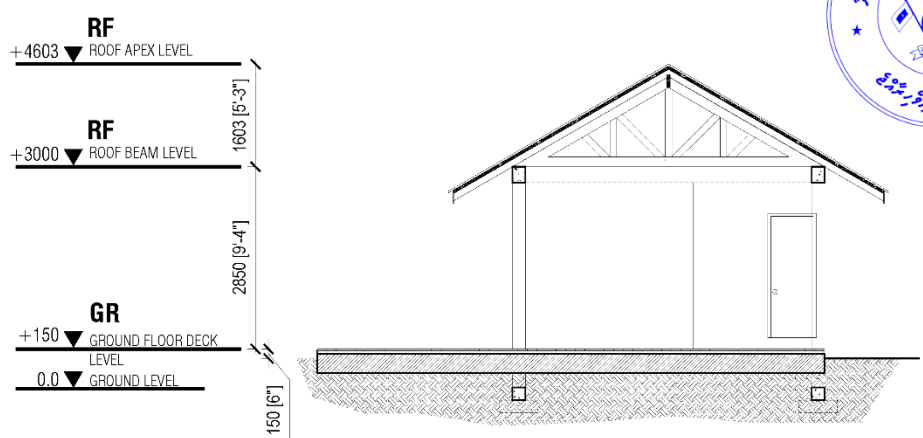
SECRETARIAT OF THE KULHUDHUFFUSHI CITY COUNCIL AMEENEE MAGU, KULHUDHUFFUSHI CITY, (02110, REP. OF MALDIVES) TEL: 1621 EMAIL: info@kulhudhuffushicity.gov.mv	SHEET TITLE: HUT-1 DRAWINGS	PROJECT: BOAZIYAARAY BEACH DEVELOPMENT	DRAWN BY: ADAM MOHAMED CHECKED BY: IMRAN AHMED	DATE: 26 OCTOBER 2024 SCALE: AS GIVEN	PAGE NO: 03
---	---------------------------------------	---	---	--	-----------------------



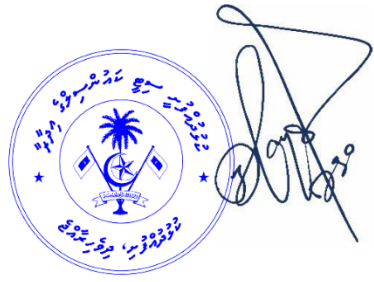
ELEVATION-A
SCALE 1:100



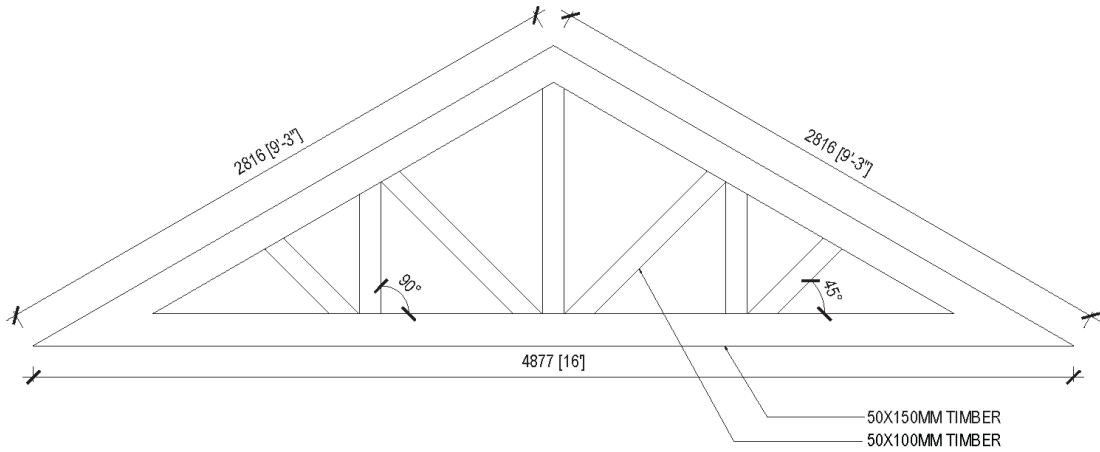
ELEVATION-B
SCALE 1:100



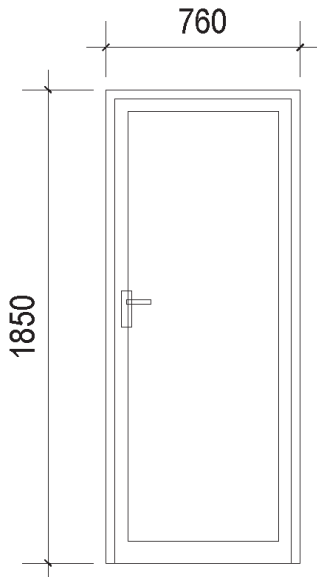
SECTION-X
SCALE 1:100



SECRETARIAT OF THE KULHUDHUFFUSHI CITY COUNCIL AMEENEE MAGU, KULHUDHUFFUSHI CITY 02110, REP. OF MALDIVES TEL: 1821 EMAIL: info@kulhudhuffushicity.gov.mv	SHEET TITLE: HUT-1 DRAWINGS	PROJECT: BOAZIYAARAY BEACH DEVELOPMENT	DRAWN BY: ADAM MOHAMED CHECKED BY: IMRAN AHMED	DATE: 26 OCTOBER 2024 SCALE: AS GIVEN	PAGE NO: 04
--	--------------------------------	---	---	--	----------------

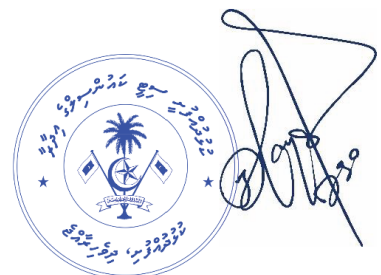


ROOF TRUSS DETAIL
SCALE 1:30



ALUMINIUM FRAMED OPENABLE DOOR
(ALUMINUM PANEL SHEETS)

DOOR DETAIL
SCALE 1:30



SECRETARIAT OF THE KULHUDHUFFUSHI CITY COUNCIL AMEENE MAGU, KULHUDHUFFUSHI CITY, 02110, REP. OF MALDIVES TEL: 1621 EMAIL: info@kulhudhuffushicity.gov.mv	SHEET TITLE: HUT-1 DRAWINGS	PROJECT: BOAZIYAARAY BEACH DEVELOPMENT	DRAWN BY: ADAM MOHAMED	DATE: 26 OCTOBER 2024	PAGE NO:
			CHECKED BY: IMRAN AHMED	SCALE: AS GIVEN	05

BEAM DETAILS
SCALE 1:20

COLUMN DETAILS
SCALE 1:20

FOUNDATION PAD DETAIL
SCALE 1:20

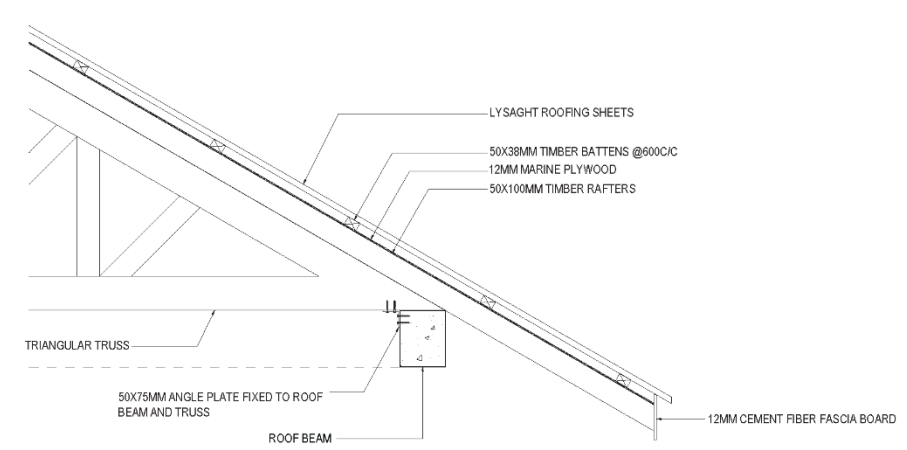
FEEDING TABLE DETAIL
SCALE 1:20

SECRETARIAT OF THE KULHIDHUFFUSHI CITY COUNCIL AMEENEE MAGU, KULHIDHUFFUSHI CITY, Q2110, REP. OF MALDIVES TEL: 1621 EMAIL: info@kulhudhuffushicity.gov.mv	SHEET TITLE: HUT-1 DRAWINGS	PROJECT: BOAZIYAARAY BEACH DEVELOPMENT	DRAWN BY: ADAM MOHAMED	DATE: 28 OCTOBER 2024	PAGE NO.:
			CHECKED BY: IMRAN AHMED	SCALE: AS GIVEN	06

SHELF DETAIL
SCALE 1:20

POOL DECK DETAIL
SCALE 1:20

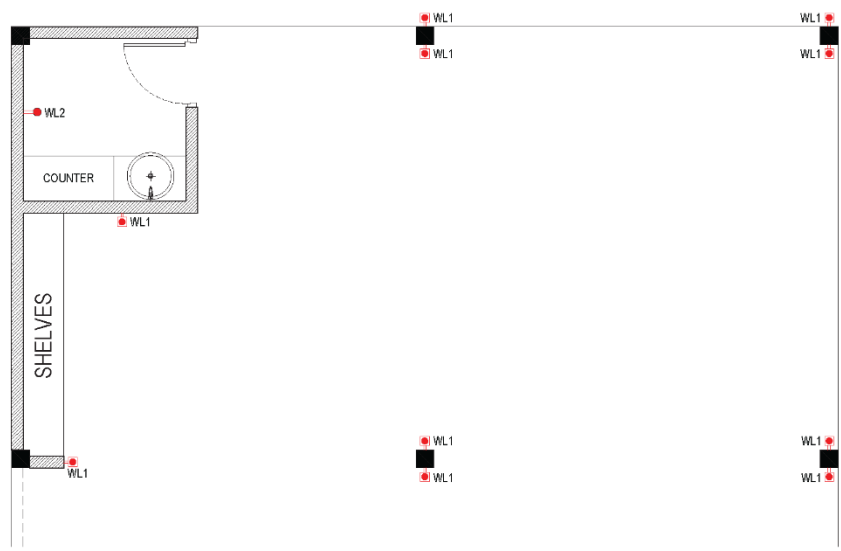
SECRETARIAT OF THE KULHIDHUFFUSHI CITY COUNCIL AMEENEE MAGU, KULHIDHUFFUSHI CITY, Q2110, REP. OF MALDIVES TEL: 1621 EMAIL: info@kulhudhuffushicity.gov.mv	SHEET TITLE: HUT-1 DRAWINGS	PROJECT: BOAZIYAARAY BEACH DEVELOPMENT	DRAWN BY: ADAM MOHAMED	DATE: 28 OCTOBER 2024	PAGE NO.:
			CHECKED BY: IMRAN AHMED	SCALE: AS GIVEN	07



ROOF DETAIL
SCALE: 1:20



SECRETARIAT OF THE KULHUDHUFFUSHI CITY COUNCIL AMEENEE MARGU, KULHUDHUFFUSHI CITY, 26110, REP. OF MALDIVES TEL: 9621 53401, info@kulhudhuffushicity.gov.mv	SHEET TITLE: HUT-1 DRAWINGS	PROJECT: BOAZIYAARAY BEACH DEVELOPMENT	DRAWN BY: ADAM MOHAMED	DATE: 28 OCTOBER 2024	PAGE NO: 08
			CHECKED BY: IMRAN AHMED	SCALE: AS GIVEN	

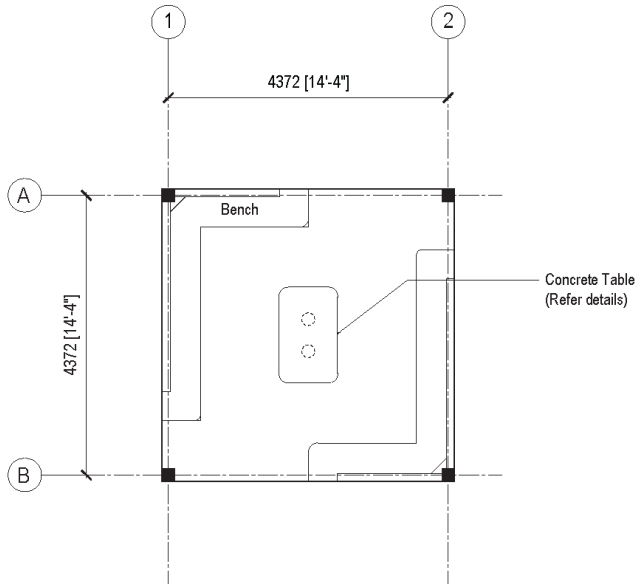


SYMBOL	DESCRIPTION
■ WL1	WALL MOUNT UP-DOWN LIGHT (WARM) (TO BE APPROVED BY COUNCIL)
● WL2	WALL MOUNT LIGHT (WARM) (TO BE APPROVED BY COUNCIL)

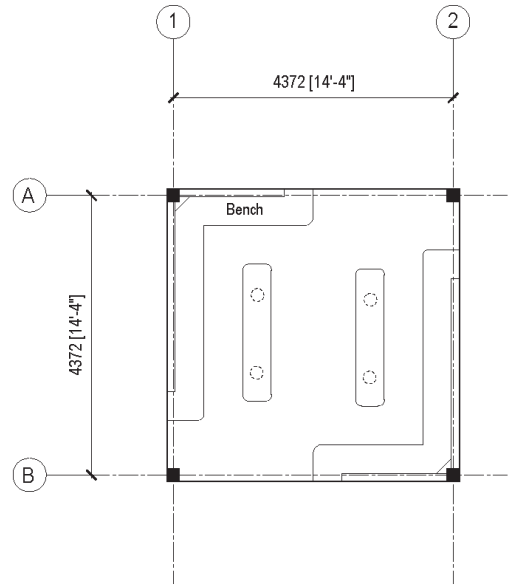
ELECTRICAL PLAN
SCALE: 1:50



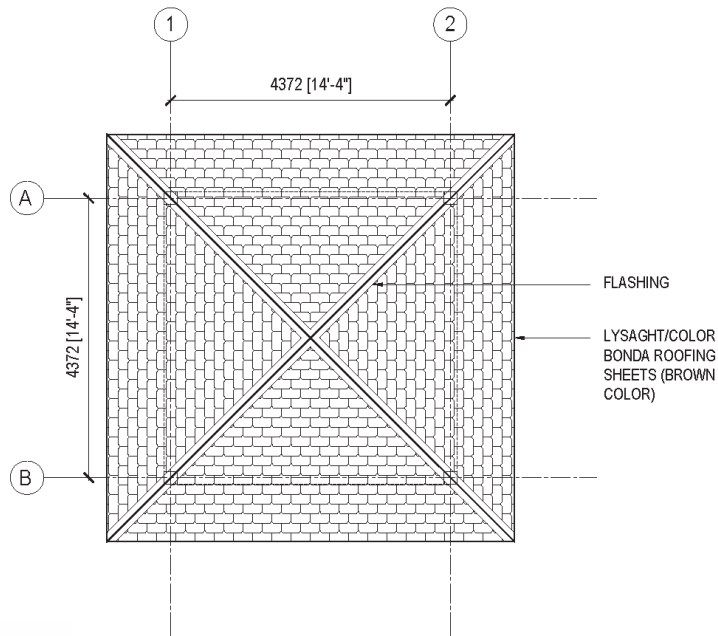
SECRETARIAT OF THE KULHUDHUFFUSHI CITY COUNCIL AMEENEE MARGU, KULHUDHUFFUSHI CITY, 26110, REP. OF MALDIVES TEL: 9621 53401, info@kulhudhuffushicity.gov.mv	SHEET TITLE: HUT-1 DRAWINGS	PROJECT: BOAZIYAARAY BEACH DEVELOPMENT	DRAWN BY: ADAM MOHAMED	DATE: 28 OCTOBER 2024	PAGE NO: 09
			CHECKED BY: IMRAN AHMED	SCALE: AS GIVEN	



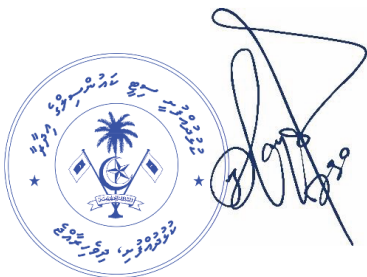
GROUND FLOOR PLAN (TYPE-1)
SCALE 1:100



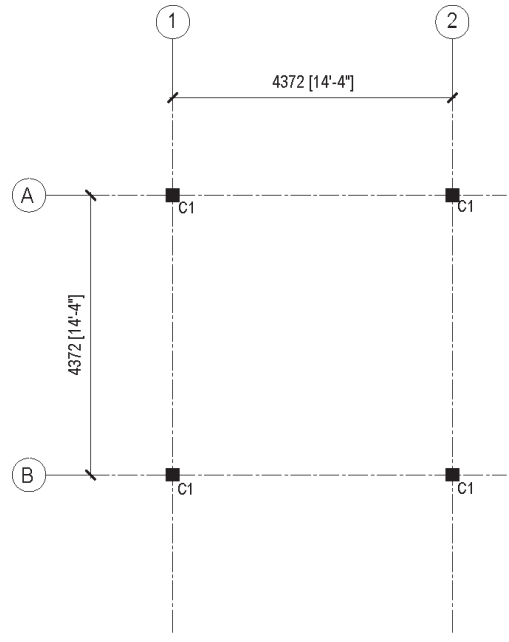
GROUND FLOOR PLAN (TYPE-2)
SCALE 1:100



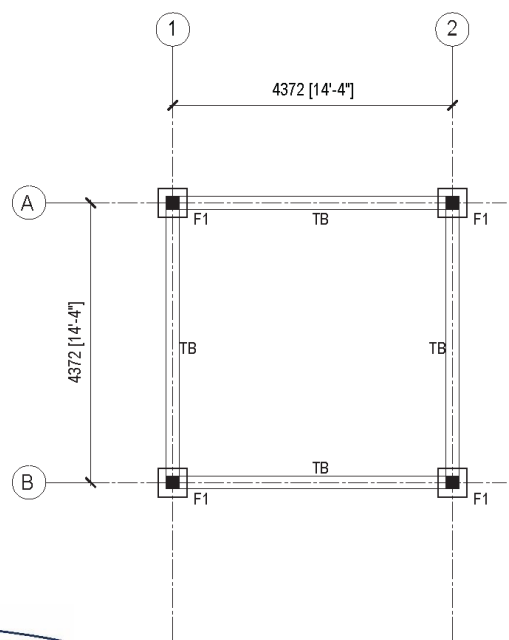
ROOF PLAN
SCALE 1:100



SECRETARIAT OF THE KULHUDHUFFUSHI CITY COUNCIL AMEENEE MAGU, KULHUDHUFFUSHI CITY, (02110), REP. OF MALDIVES TEL: 1621 EMAIL: info@kulhudhuffushicity.gov.mv	SHEET TITLE: HUT-2 DRAWINGS	PROJECT: BOAZIYAARAY BEACH DEVELOPMENT	DRAWN BY: ADAM MOHAMED	DATE: 26 OCTOBER 2024	PAGE NO:
			CHECKED BY: IMRAN AHMED	SCALE: AS GIVEN	10



COLUMN LOCATION PLAN
SCALE 1:100

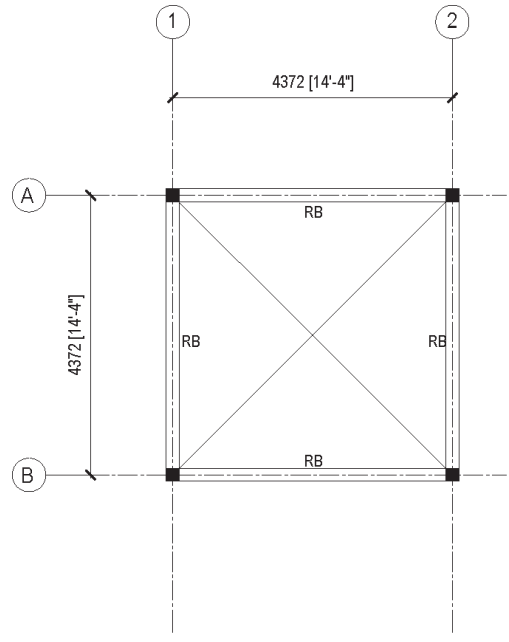


FOUNDATION PLAN
SCALE 1:100

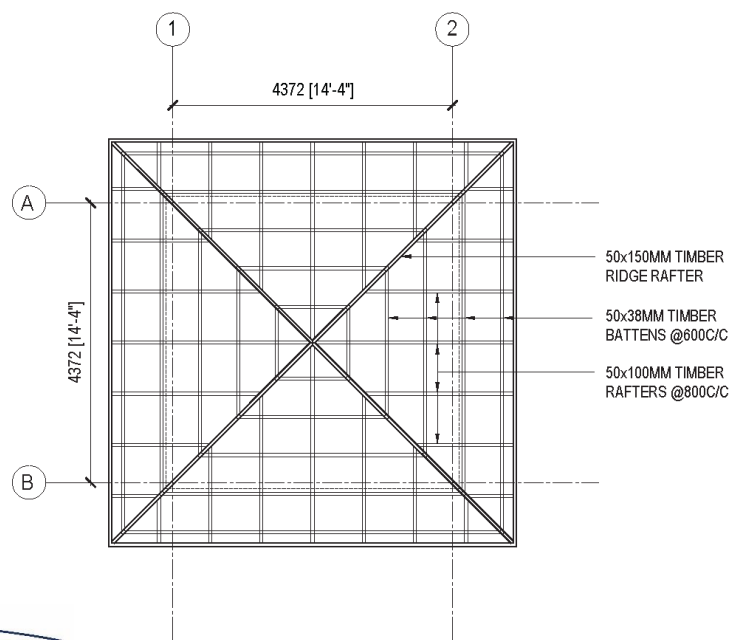
F1-450MMX450MMX200MM [T10@150C/C BW BOTTOM]
FOUNDATION DEPTH=600MM FROM NGL



SECRETARIAT OF THE KULHUDHUFFUSHI CITY COUNCIL AMEENE MAGU, KULHUDHUFFUSHI CITY, 02110, REP. OF MALDIVES TEL: 1621 EMAIL: info@kulhudhuffushicity.gov.mv	SHEET TITLE: HUT-2 DRAWINGS	PROJECT: BOAZIYAARAY BEACH DEVELOPMENT	DRAWN BY: ADAM MOHAMED	DATE: 26 OCTOBER 2024	PAGE NO: 11
			CHECKED BY: IMRAN AHMED	SCALE: AS GIVEN	



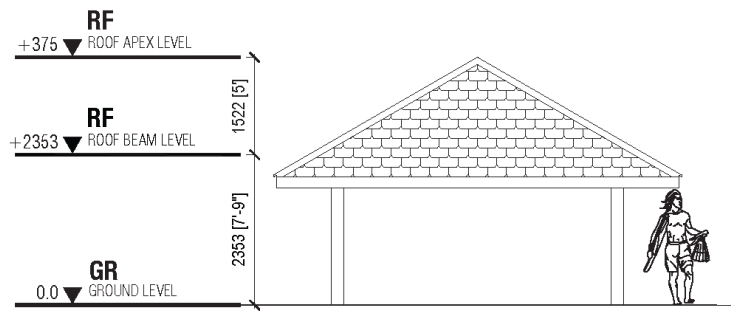
ROOF BEAM PLAN
SCALE 1:100



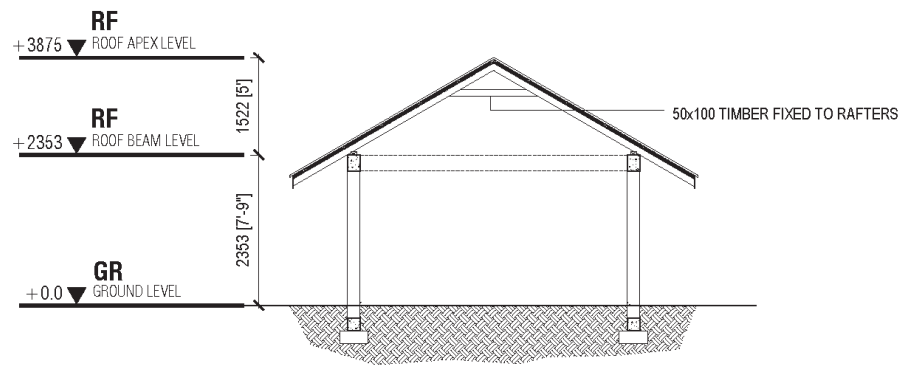
ROOF FRAMING PLAN
SCALE 1:100



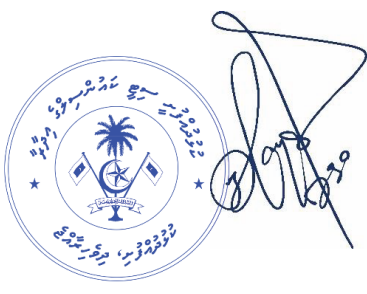
SECRETARIAT OF THE KULHUDHUFFUSHI CITY COUNCIL AMEENEE MAGU, KULHUDHUFFUSHI CITY, (2110, REP. OF MALDIVES) TEL: 1621 EMAIL: info@kulhudhuffushicity.gov.mv	SHEET TITLE: HUT-2 DRAWINGS	PROJECT: BOAZIYAARAY BEACH DEVELOPMENT	DRAWN BY: ADAM MOHAMED CHECKED BY: IMRAN AHMED	DATE: 26 OCTOBER 2024 SCALE: AS GIVEN	PAGE NO: 12
--	--------------------------------	---	---	--	----------------



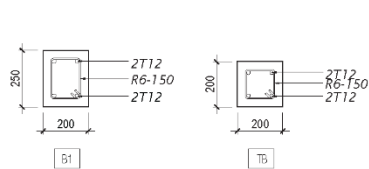
ELEVATION
SCALE 1:100



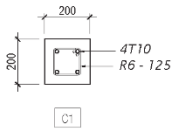
SECTION
SCALE 1:100



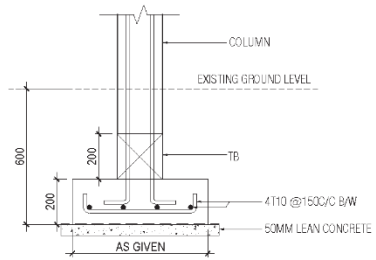
SECRETARIAT OF THE KULHUDHUFFUSHI CITY COUNCIL AMEENE MAGU, KULHUDHUFFUSHI CITY, (2110, REP. OF MALDIVES) TEL: 1621 EMAIL: info@kulhudhuffushicity.gov.mv	SHEET TITLE: HUT-2 DRAWINGS	PROJECT: BOAZIYAARAY BEACH DEVELOPMENT	DRAWN BY: ADAM MOHAMED	DATE: 26 OCTOBER 2024	PAGE NO: 13
			CHECKED BY: IMRAN AHMED	SCALE: AS GIVEN	



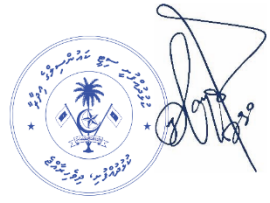
BEAM DETAILS
SCALE 1:20



COLUMN DETAILS
SCALE 1:20



FOUNDATION PAD DETAIL
SCALE 1:20



SECRETARIAT OF THE KULHIDHUFFUSHI CITY COUNCIL AMEENEE MARGU, KULHIDHUFFUSHI CITY, 26110, REP. OF MALDIVES TEL: 1621 FAX: info@kulhudhuffushicity.gov.mv	SHEET TITLE: HUT-2 DRAWINGS	PROJECT: BOAZIYARAY BEACH DEVELOPMENT	DRAWN BY: ADAM MOHAMED	DATE: 28 OCTOBER 2024	PAGE NO: 14
			CHECKED BY: IMRAN AHMED	SCALE: AS GIVEN	

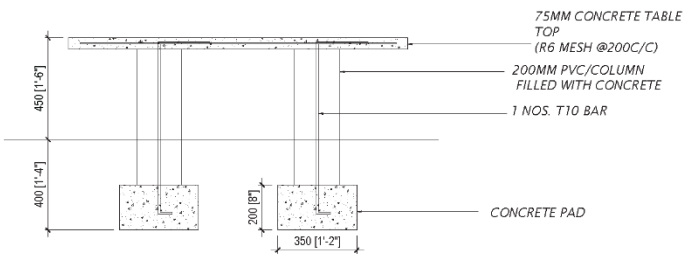
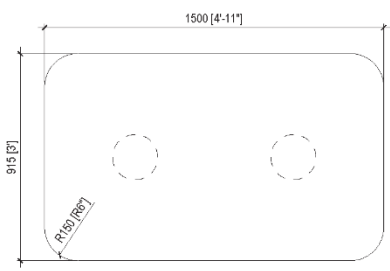
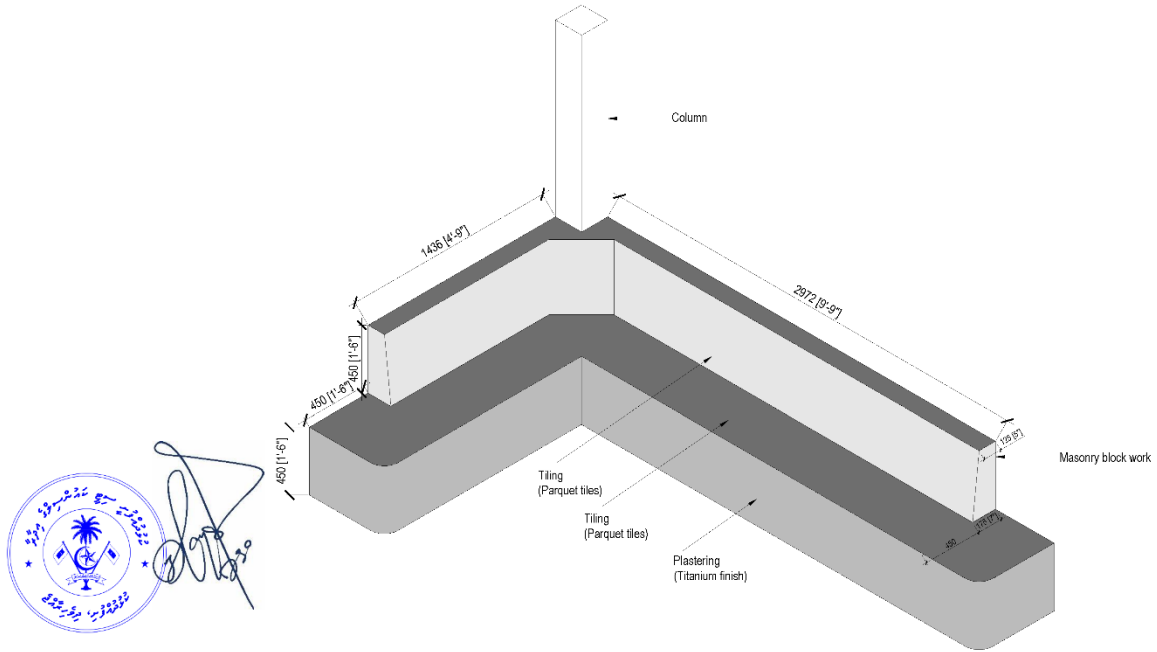


TABLE DETAILS (TYPE-1)
SCALE 1:20

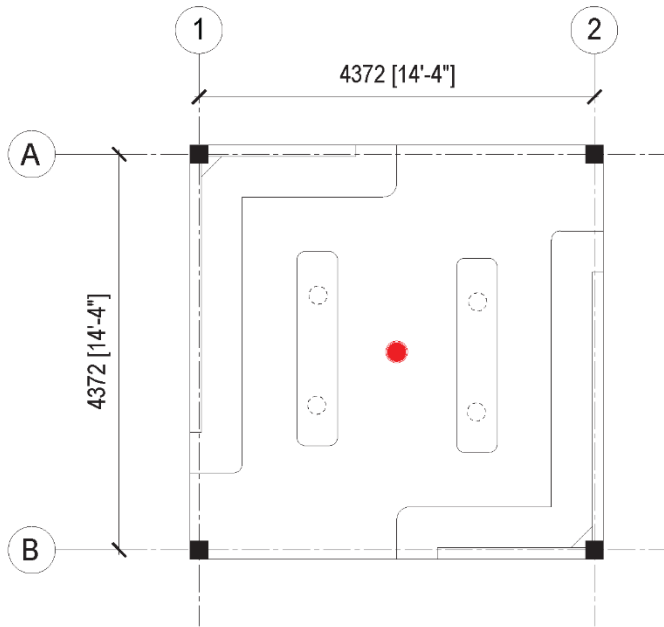


SECRETARIAT OF THE KULHIDHUFFUSHI CITY COUNCIL AMEENEE MARGU, KULHIDHUFFUSHI CITY, 26110, REP. OF MALDIVES TEL: 1621 FAX: info@kulhudhuffushicity.gov.mv	SHEET TITLE: HUT-2 DRAWINGS	PROJECT: BOAZIYARAY BEACH DEVELOPMENT	DRAWN BY: ADAM MOHAMED	DATE: 28 OCTOBER 2024	PAGE NO: 15
			CHECKED BY: IMRAN AHMED	SCALE: AS GIVEN	



BENCH DETAILS
SCALE 1:20

SECRETARIAT OF THE KULHUDHUFFUSH CITY COUNCIL AMEENEE MANSA, KULHUDHUFFUSH CITY, 2110, REP. OF MALDIVES TEL: 1621 EMAIL: info@kulhudhuffushcity.gov.mv	SHEET TITLE: HUT-2 DRAWINGS	PROJECT: BOAZIYAARAY BEACH DEVELOPMENT	DRAWN BY: ADAM MOHAMED	DATE: 26 OCTOBER 2024	PAGE NO: 18
			CHECKED BY: IMRAN AHMED	SCALE: AS GIVEN	

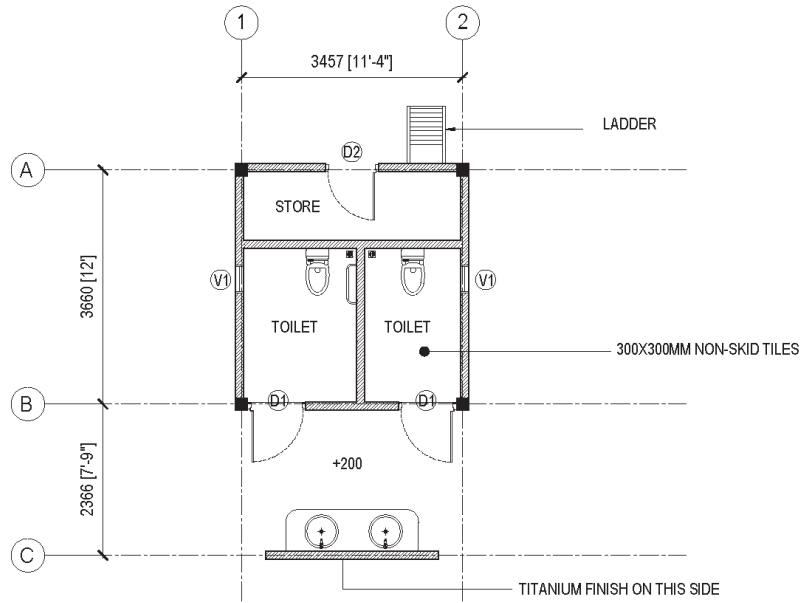


SYMBOL	DESCRIPTION
● C1	SURFACE MOUNT LIGHT (WARM) (TO BE APPROVED BY COUNCIL)

ELECTRICAL PLAN
SCALE 1:20

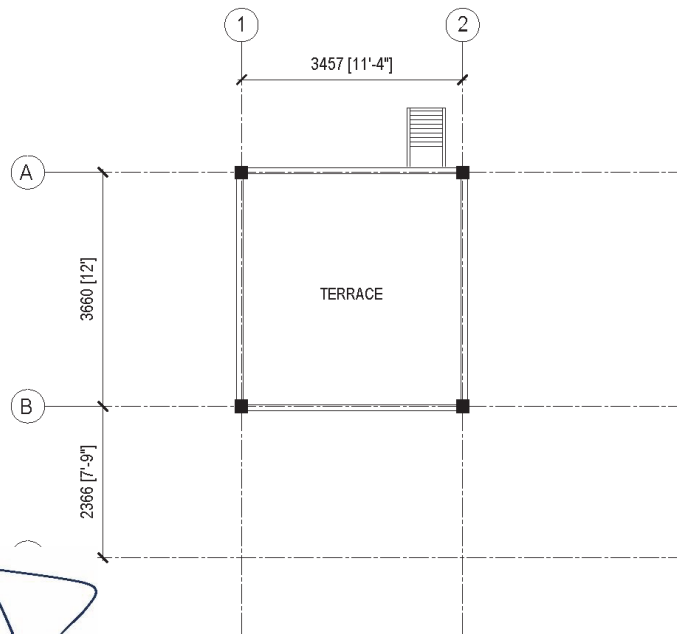
SECRETARIAT OF THE KULHUDHUFFUSH CITY COUNCIL AMEENEE MANSA, KULHUDHUFFUSH CITY, 2110, REP. OF MALDIVES TEL: 1621 EMAIL: info@kulhudhuffushcity.gov.mv	SHEET TITLE: HUT-2 DRAWINGS	PROJECT: BOAZIYAARAY BEACH DEVELOPMENT	DRAWN BY: ADAM MOHAMED	DATE: 26 OCTOBER 2024	PAGE NO: 19
			CHECKED BY: IMRAN AHMED	SCALE: AS GIVEN	

TOILET
 FLOOR FINISH:
300X300MM NON-SKID TILES
 WALL FINISH:
300X600MM PORCELAIN TILES



GROUND FLOOR PLAN
 SCALE 1:100

130MM HOLLOW BLOCK WALL
 12MM PLASTERING ON BOTH SIDES
 300X600 PORCELAIN TILES ON BOTH SIDES



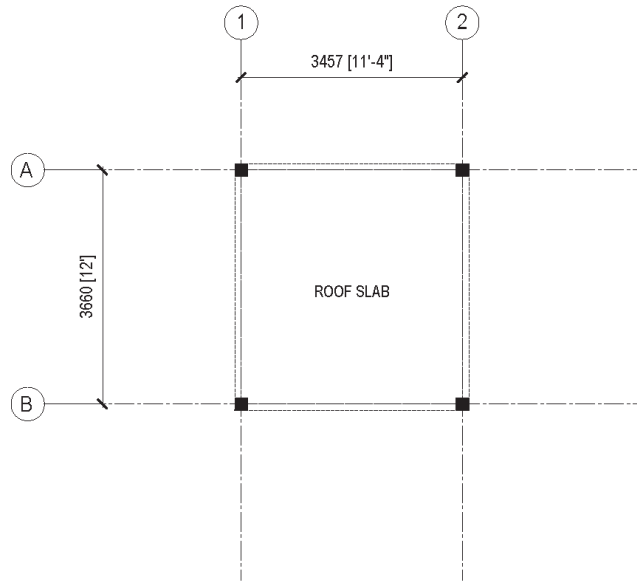
FIRST FLOOR PLAN
 SCALE 1:100

TERRACE
 FLOOR FINISH:
150/200 X 1200MM NON-SKID TILES

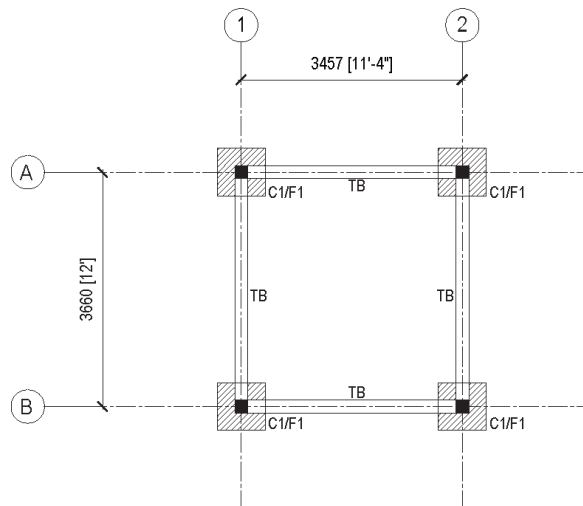


(Handwritten signature)

SECRETARIAT OF THE KULHUDHUFFUSHI CITY COUNCIL AMEENE MAGU, KULHUDHUFFUSHI CITY, 02110, REP. OF MALDIVES TEL: 1621 EMAIL: info@kulhudhuffushicity.gov.mv	SHEET TITLE: TOILET BLOCK DRAWINGS	PROJECT: BOAZIYAARAY BEACH DEVELOPMENT	DRAWN BY: ADAM MOHAMED	DATE: 26 OCTOBER 2024	PAGE NO.:
			CHECKED BY: IMRAN AHMED	SCALE: AS GIVEN	20



ROOF SLAB PLAN
SCALE 1:100

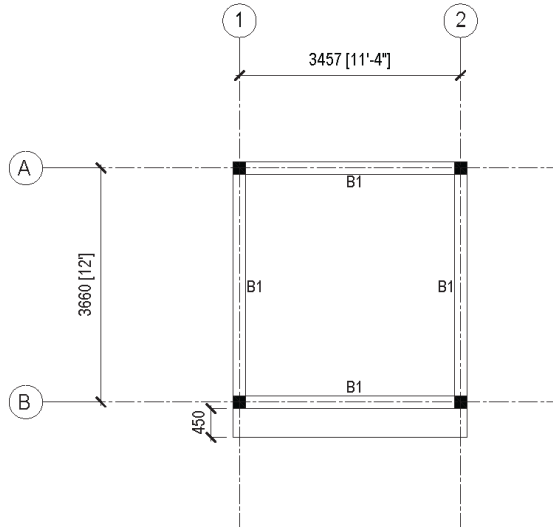


FOUNDATION PLAN
SCALE 1:100

F1-750X750X200 (T 10@150C/C BAW BOTTOM)
FOUNDATION DEPTH=800MM FROM NGL.

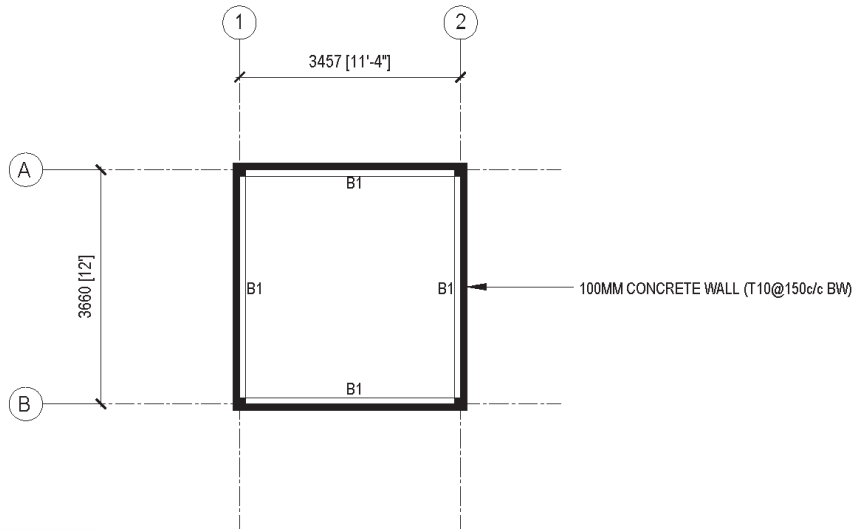


SECRETARIAT OF THE KULHUDHUFFUSHI CITY COUNCIL AMEENEE MAGU, KULHUDHUFFUSHI CITY, (02110, REP. OF MALDIVES) TEL: 1621 EMAIL: info@kulhudhuffushicity.gov.mv	SHEET TITLE: TOILET BLOCK DRAWINGS	PROJECT: BOAZIYAARAY BEACH DEVELOPMENT	DRAWN BY: ADAM MOHAMED	DATE: 26 OCTOBER 2024	PAGE NO.:
			CHECKED BY: IMRAN AHMED	SCALE: AS GIVEN	21



1ST FLOOR BEAM/SLAB PLAN
SCALE 1:100

SLAB THICKNESS=130MM
T10@150 C/C BW TOP & BOTTOM

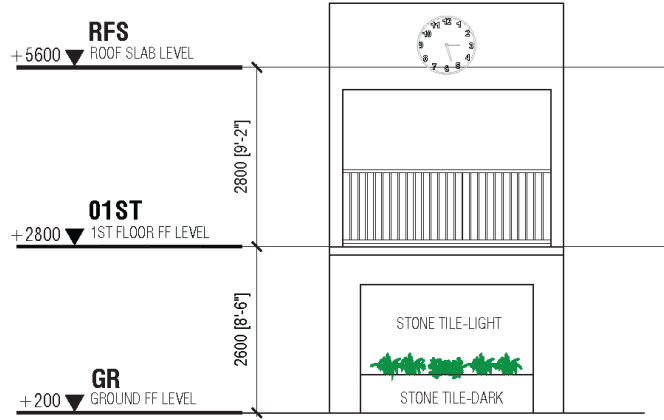


ROOF BEAM/SLAB PLAN
SCALE 1:100

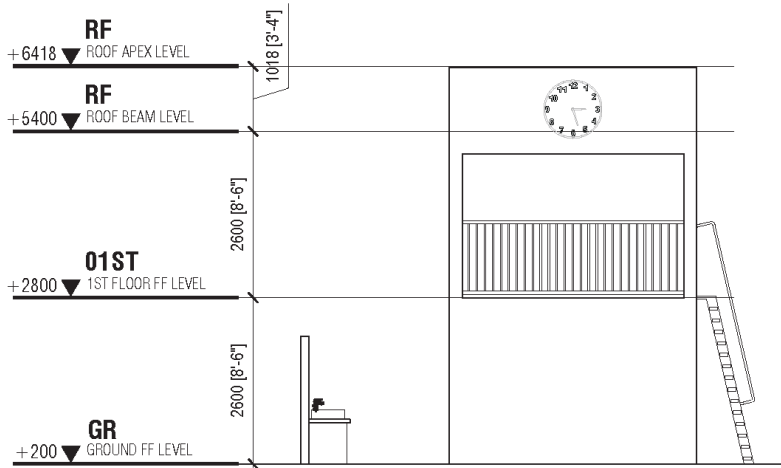
SLAB THICKNESS=130MM
T10@150 C/C BW TOP & BOTTOM



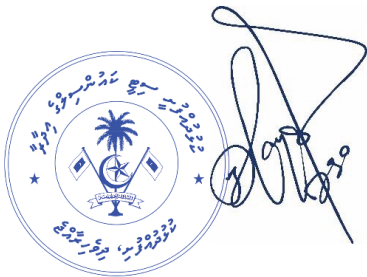
SECRETARIAT OF THE KULHUTHUFFUSHI CITY COUNCIL AMREENE MAAJU, KULHUTHUFFUSHI CITY, (02)110, REP. OF MALDIVES TEL: 1621 EMAIL: info@kulhudhuffushicity.gov.mv	SHEET TITLE: TOILET BLOCK DRAWINGS	PROJECT: BOAZIYAARAY BEACH DEVELOPMENT	DRAWN BY: ADAM MOHAMED	DATE: 26 OCTOBER 2024	PAGE NO:
			CHECKED BY: IMRAN AHMED	SCALE: AS GIVEN	22



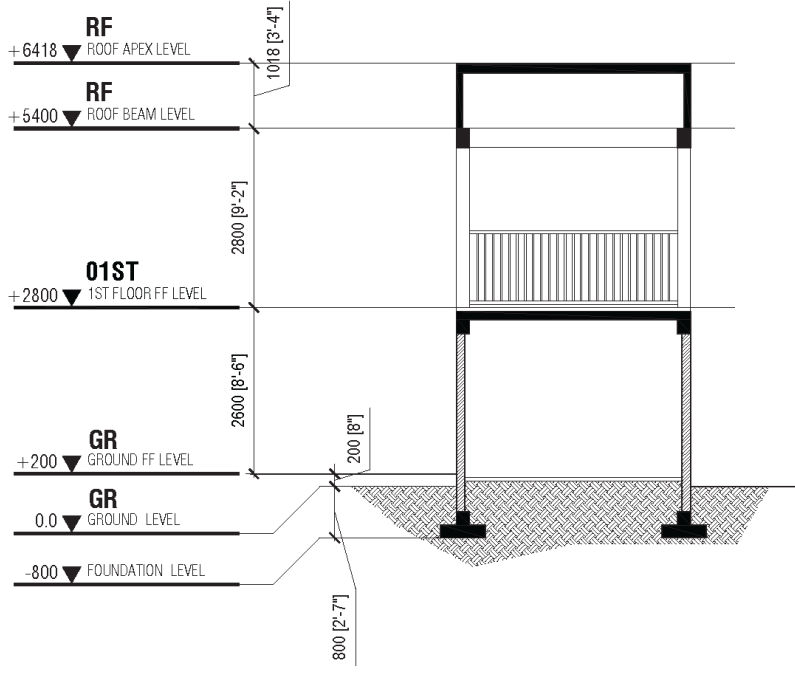
FRONT ELEVATION
SCALE 1:100



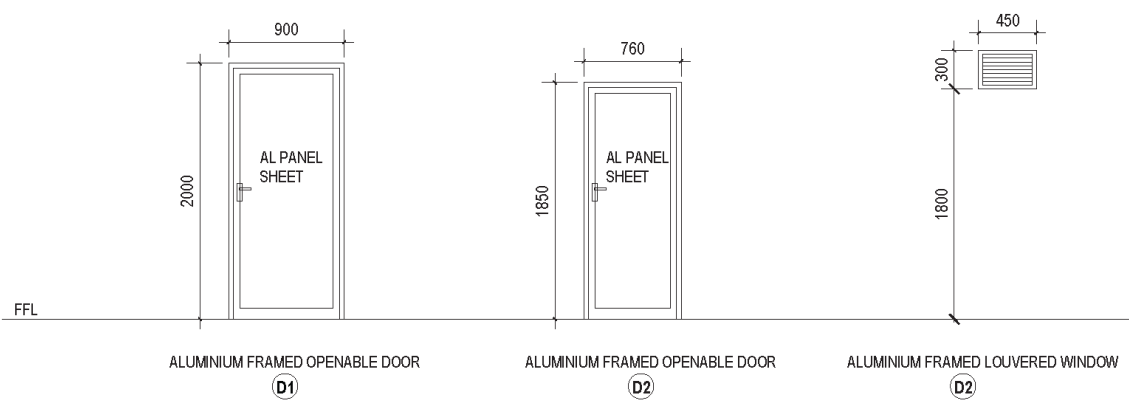
SIDE ELEVATION
SCALE 1:100



SECRETARIAT OF THE KULHUDHUFFUSHI CITY COUNCIL AMEENE MAGU, KULHUDHUFFUSHI CITY, (02110, REP. OF MALDIVES TEL: 1621 EMAIL: info@kulhudhuffushicity.gov.mv	SHEET TITLE: TOILET BLOCK DRAWINGS	PROJECT: BOAZIYAARAY BEACH DEVELOPMENT	DRAWN BY: ADAM MOHAMED CHECKED BY: IMRAN AHMED	DATE: 26 OCTOBER 2024 SCALE: AS GIVEN	PAGE NO: 23
---	---------------------------------------	---	---	--	-----------------------



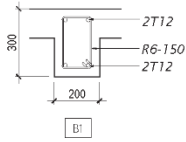
SECTION-X
SCALE 1:100



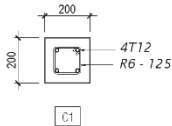
DOOR DETAILS
SCALE 1:100



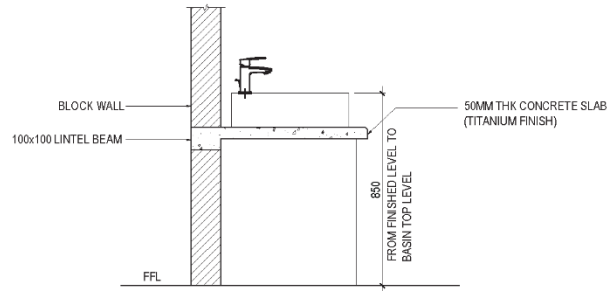
SECRETARIAT OF THE KULHUDHUFFUSHI CITY COUNCIL AMEENE MAGU, KULHUDHUFFUSHI CITY, 02110, REP. OF MALDIVES TEL: 1621 EMAIL: info@kulhudhuffushicity.gov.mv	SHEET TITLE: TOILET BLOCK DRAWINGS	PROJECT: BOAZIYAARAY BEACH DEVELOPMENT	DRAWN BY: ADAM MOHAMED CHECKED BY: IMRAN AHMED	DATE: 26 OCTOBER 2024 SCALE: AS GIVEN	PAGE NO: 24
--	--	--	---	--	-----------------------



BEAM DETAILS
SCALE 1:20



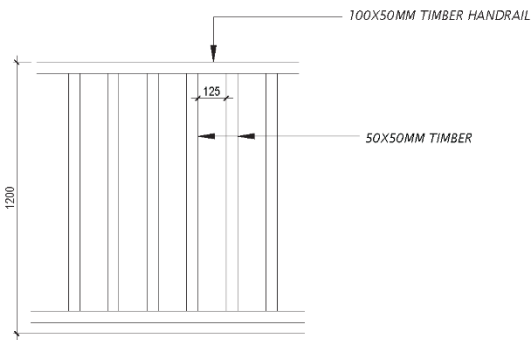
COLUMN DETAILS
SCALE 1:20



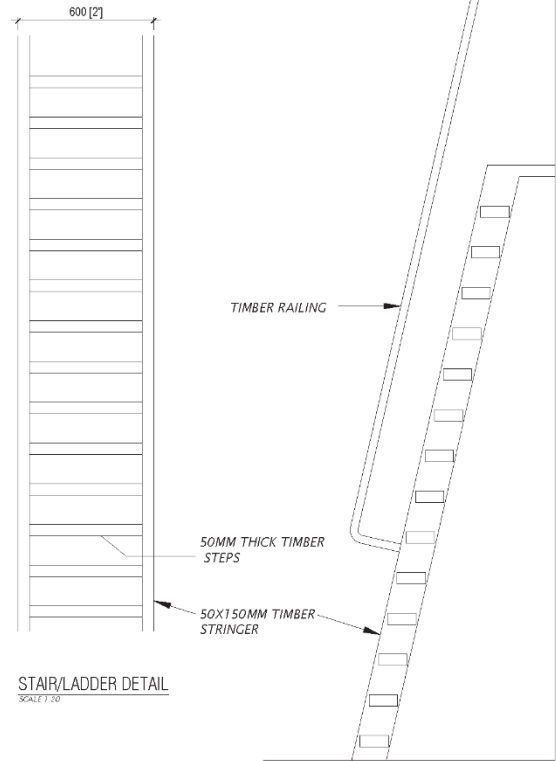
WASH BASIN COUNTER DETAILS
SCALE 1:20



SECRETARIAT OF THE KULHUDHUFFUSHI CITY COUNCIL AMEENEE MARGU, KULHUDHUFFUSHI CITY, 26110, REP. OF MALDIVES TEL: 1621 FAX: info@kulhudhuffushicity.gov.mv	SHEET TITLE: TOILET BLOCK DRAWINGS	PROJECT: BOAZIYAARAY BEACH DEVELOPMENT	DRAWN BY: ADAM MOHAMED	DATE: 28 OCTOBER 2024	PAGE NO: 25
			CHECKED BY: IMRAN AHMED	SCALE: AS GIVEN	



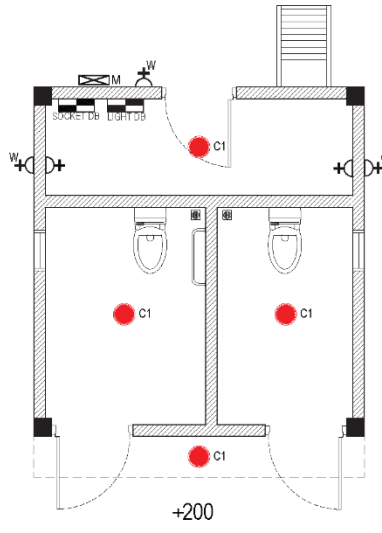
RAILING DETAIL
SCALE 1:20



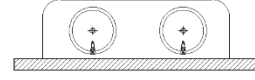
STAIR/LADDER DETAIL
SCALE 1:20



SECRETARIAT OF THE KULHUDHUFFUSHI CITY COUNCIL AMEENEE MARGU, KULHUDHUFFUSHI CITY, 26110, REP. OF MALDIVES TEL: 1621 FAX: info@kulhudhuffushicity.gov.mv	SHEET TITLE: TOILET BLOCK DRAWINGS	PROJECT: BOAZIYAARAY BEACH DEVELOPMENT	DRAWN BY: ADAM MOHAMED	DATE: 28 OCTOBER 2024	PAGE NO: 26
			CHECKED BY: IMRAN AHMED	SCALE: AS GIVEN	

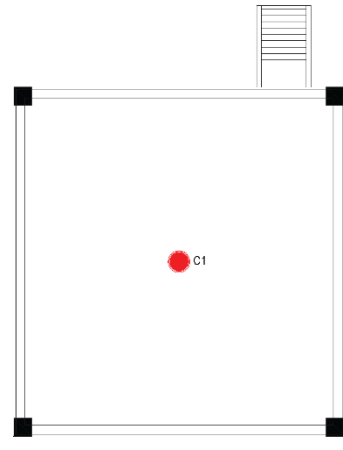


SYMBOL	DESCRIPTION
C1	SURFACE MOUNT LIGHT (WARM) (TO BE APPROVED BY COUNCIL)
DB	DISTRIBUTION BOARD
D+	SINGLE GANG POWER SOCKET
M	HOUSE METER (3-PHASE)
D+W	SINGLE GANG POWER SOCKET (WATER PROOF)



ELECTRICAL PLAN- GROUND FLOOR
SCALE: 1:50

SECRETARIAT OF THE KULHUDHUFFUSHI CITY COUNCIL AMEENEE MAGU, KULHUDHUFFUSHI CITY, 26110, REP. OF MALDIVES TEL: 9621 55441, info@kulhudhuffushicity.gov.mv	SHEET TITLE: TOILET BLOCK DRAWINGS	PROJECT: BOAZIYAARAY BEACH DEVELOPMENT	DRAWN BY: ADAM MOHAMED	DATE: 28 OCTOBER 2024	PAGE NO: 27
			CHECKED BY: IMRAN AHMED	SCALE: AS GIVEN	

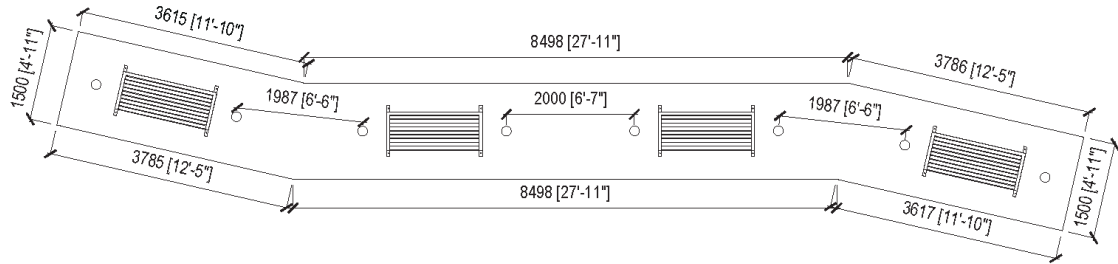


SYMBOL	DESCRIPTION
C1	SURFACE MOUNT LIGHT (WARM) (TO BE APPROVED BY COUNCIL)

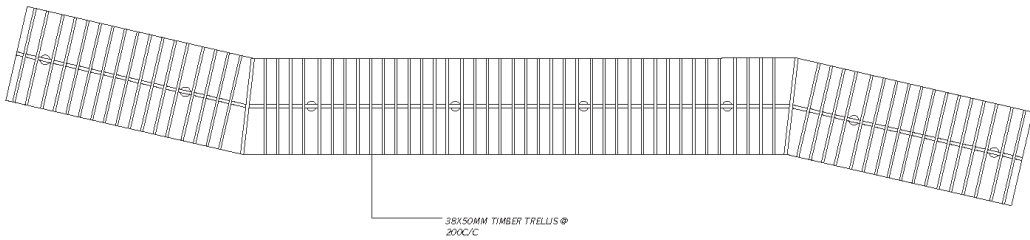


ELECTRICAL PLAN- FIRST FLOOR
SCALE: 1:50

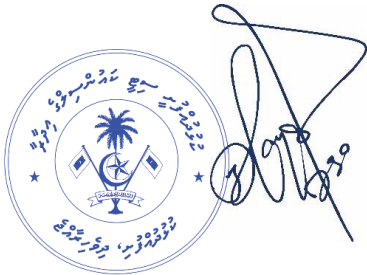
SECRETARIAT OF THE KULHUDHUFFUSHI CITY COUNCIL AMEENEE MAGU, KULHUDHUFFUSHI CITY, 26110, REP. OF MALDIVES TEL: 9621 55441, info@kulhudhuffushicity.gov.mv	SHEET TITLE: TOILET BLOCK DRAWINGS	PROJECT: BOAZIYAARAY BEACH DEVELOPMENT	DRAWN BY: ADAM MOHAMED	DATE: 28 OCTOBER 2024	PAGE NO: 28
			CHECKED BY: IMRAN AHMED	SCALE: AS GIVEN	



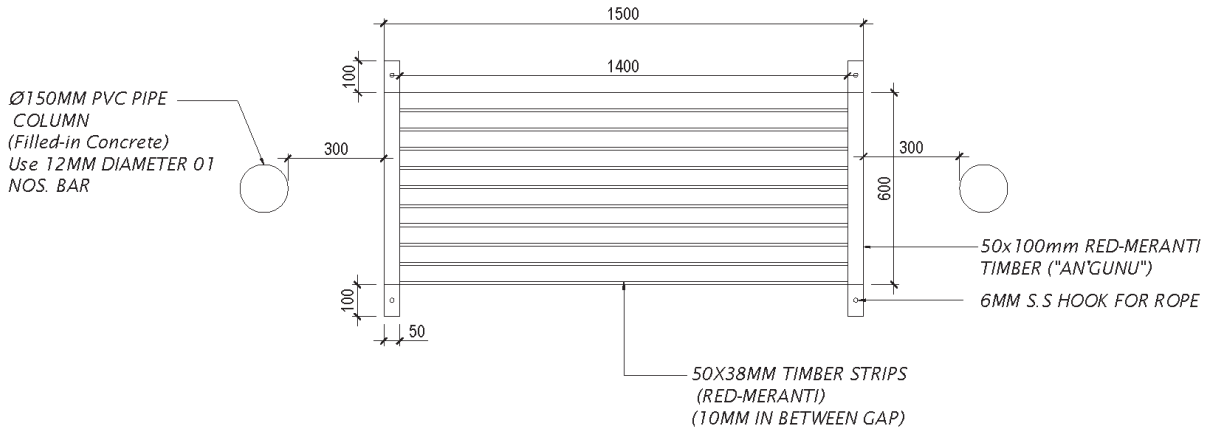
UNDHOALI SETTING-OUT PLAN
SCALE 1:100



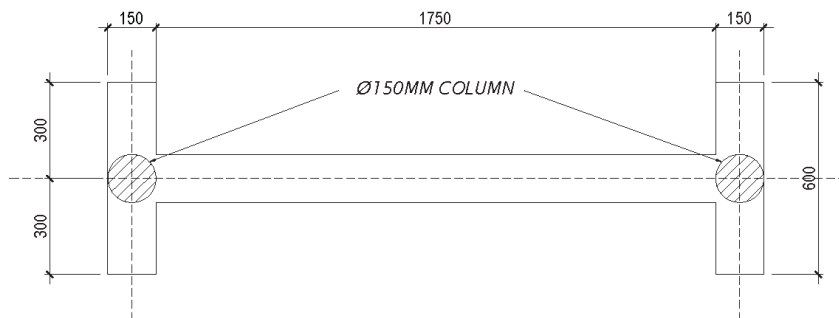
UNDHOALI TRELLIS PLAN
SCALE 1:100



SECRETARIAT OF THE KULHUDHUFFUSHI CITY COUNCIL AMEENEE MAGU, KULHUDHUFFUSHI CITY, 02110, REP. OF MALDIVES TEL: 1621 EMAIL: info@kulhudhuffushicity.gov.mv	SHEET TITLE: UNDHOALI DRAWINGS	PROJECT: BOAZIYAARAY BEACH DEVELOPMENT	DRAWN BY: ADAM MOHAMED CHECKED BY: IMRAN AHMED	DATE: 26 OCTOBER 2024 SCALE: AS GIVEN	PAGE NO: 29
---	-----------------------------------	---	---	--	----------------



UNDHOALI- TOP VIEW
SCALE 1:20

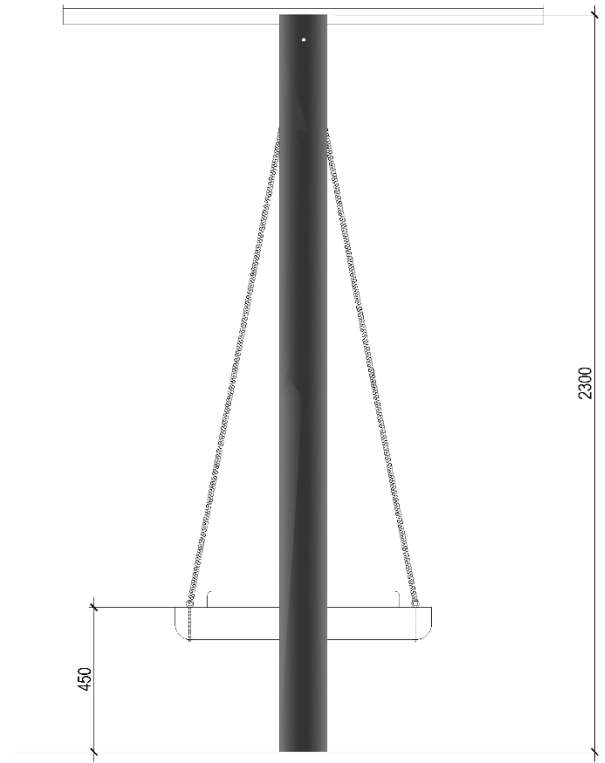


ALL BEAMS- SIZE=150X150MM
USE T10 BARS (ONE BAR)
FOUNDATION DEPTH=750MM FROM NGL

UNDHOALI FOUNDATION- PLAN
SCALE 1:20



SECRETARIAT OF THE KULHUDHUFFUSHI CITY COUNCIL AMEENE MAGU, KULHUDHUFFUSHI CITY, 02110, REP. OF MALDIVES TEL: 1621 EMAIL: info@kulhudhuffushicity.gov.mv	SHEET TITLE: UNDHOALI DRAWINGS	PROJECT: BOAZIY AARAY BEACH DEVELOPMENT	DRAWN BY: ADAM MOHAMED	DATE: 26 OCTOBER 2024	PAGE NO: 30
			CHECKED BY: IMRAN AHMED	SCALE: AS GIVEN	

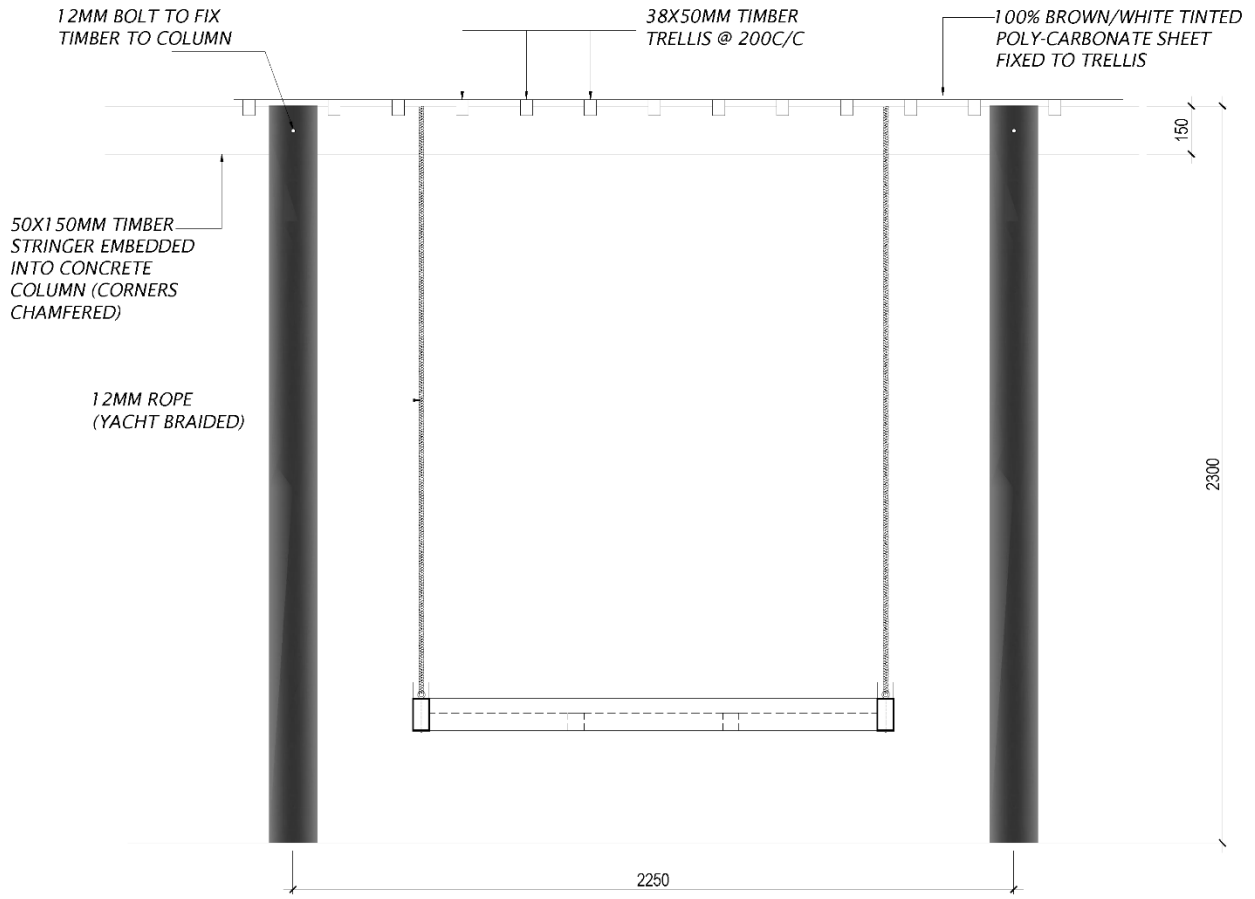


UNDHOALI SIDE ELEVATION

SCALE 1:20

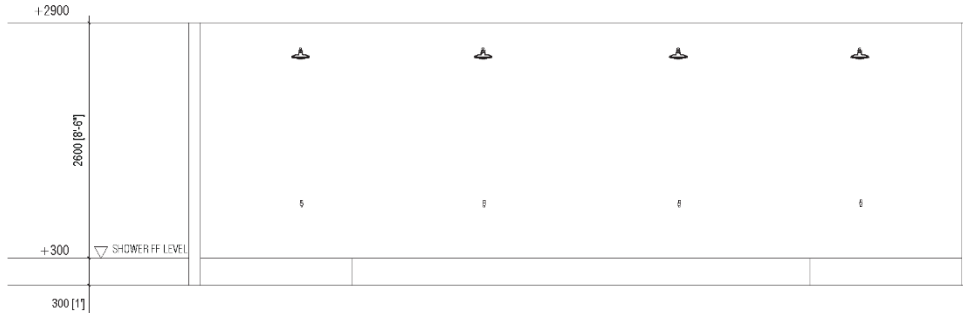


SECRETARIAT OF THE KULHUDHUFFUSHI CITY COUNCIL AMEENEE MAGU, KULHUDHUFFUSHI CITY, 02110, REP. OF MALDIVES TEL: 1621 EMAIL: info@kulhudhuffushicity.gov.mv	SHEET TITLE: UNDHOALI DRAWINGS	PROJECT: BOAZIYAARAIY BEACH DEVELOPMENT	DRAWN BY: ADAM MOHAMED CHECKED BY: IMFRAN AHMED	DATE: 26 OCTOBER 2024 SCALE: AS GIVEN	PAGE NO: 31
---	--	---	--	--	------------------------------



UNDHOALI FRONT ELEVATION
SCALE 1:20

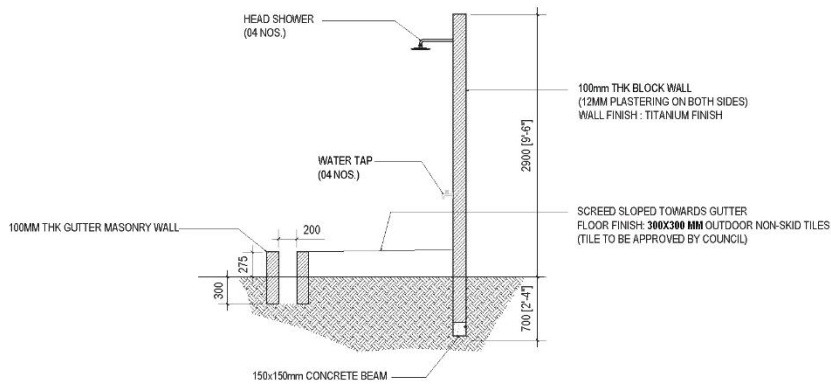
SECRETARIAT OF THE KULHUDHUFFUSHI CITY COUNCIL AMEENEE MAJLIS KULHUDHUFFUSHI CITY, 02110, REP. OF MALDIVES TEL: 1621 EMAIL: info@kulhudhuffushicity.gov.mv	SHEET TITLE: UNDHOALI DRAWINGS	PROJECT: BOAZIYAARAIY BEACH DEVELOPMENT	DRAWN BY: ADAM MOHAMED CHECKED BY: IMRAN AHMED	DATE: 26 OCTOBER 2024 SCALE: AS GIVEN	PAGE NO: 32
--	--	---	---	--	------------------------------



SHOWER-ELEVATION
SCALE: 1:50



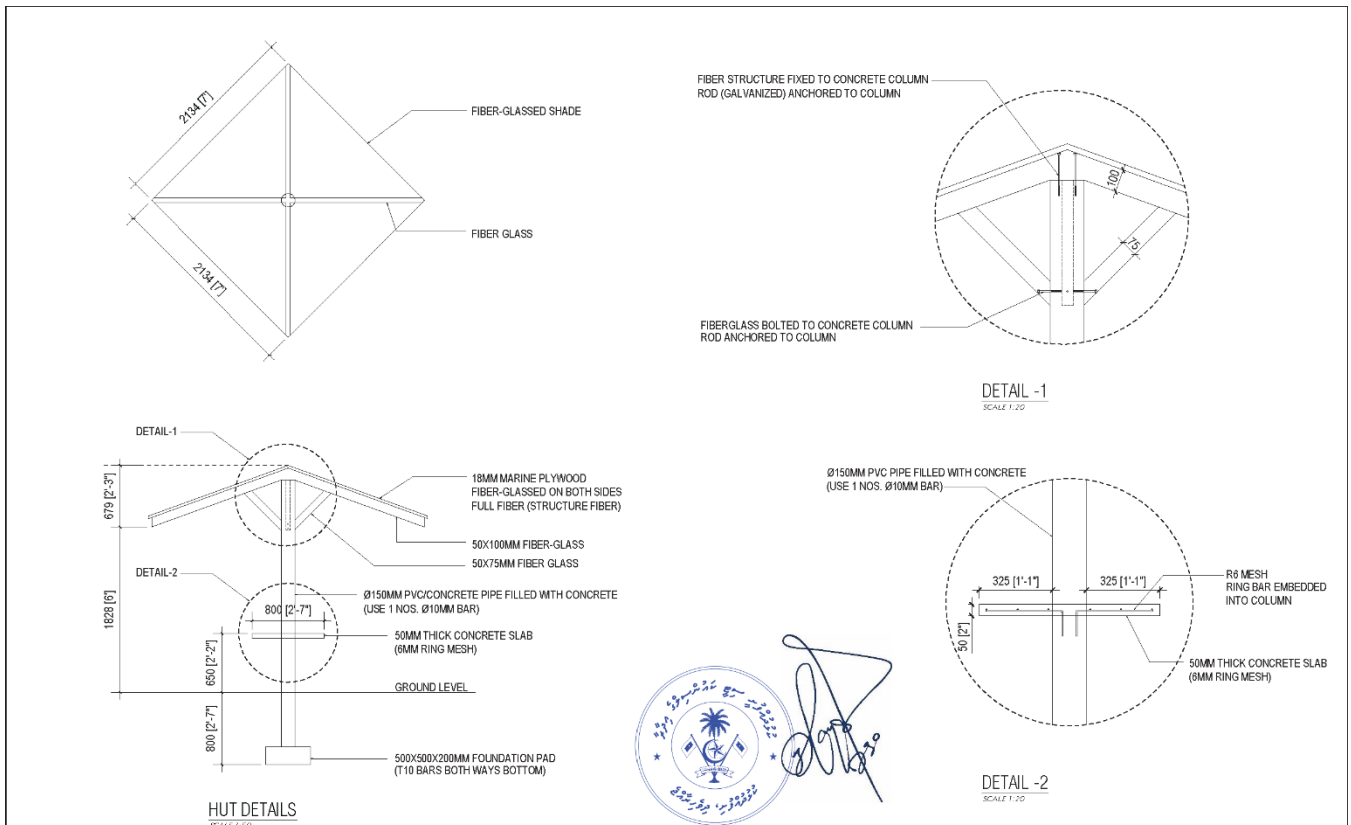
SECRETARIAT OF THE KULHUDHUFFUSHI CITY COUNCIL AMEENEE MARGU, KULHUDHUFFUSHI CITY, 26110, REP. OF MALDIVES TEL: 9621 53401, info@kulhudhuffushicity.gov.mv	SHEET TITLE: SHOWER DRAWINGS	PROJECT: BOAZIYAARAY BEACH DEVELOPMENT	DRAWN BY: ADAM MOHAMED	DATE: 28 OCTOBER 2024	PAGE NO: 37
			CHECKED BY: IMRAN AHMED	SCALE: AS GIVEN	



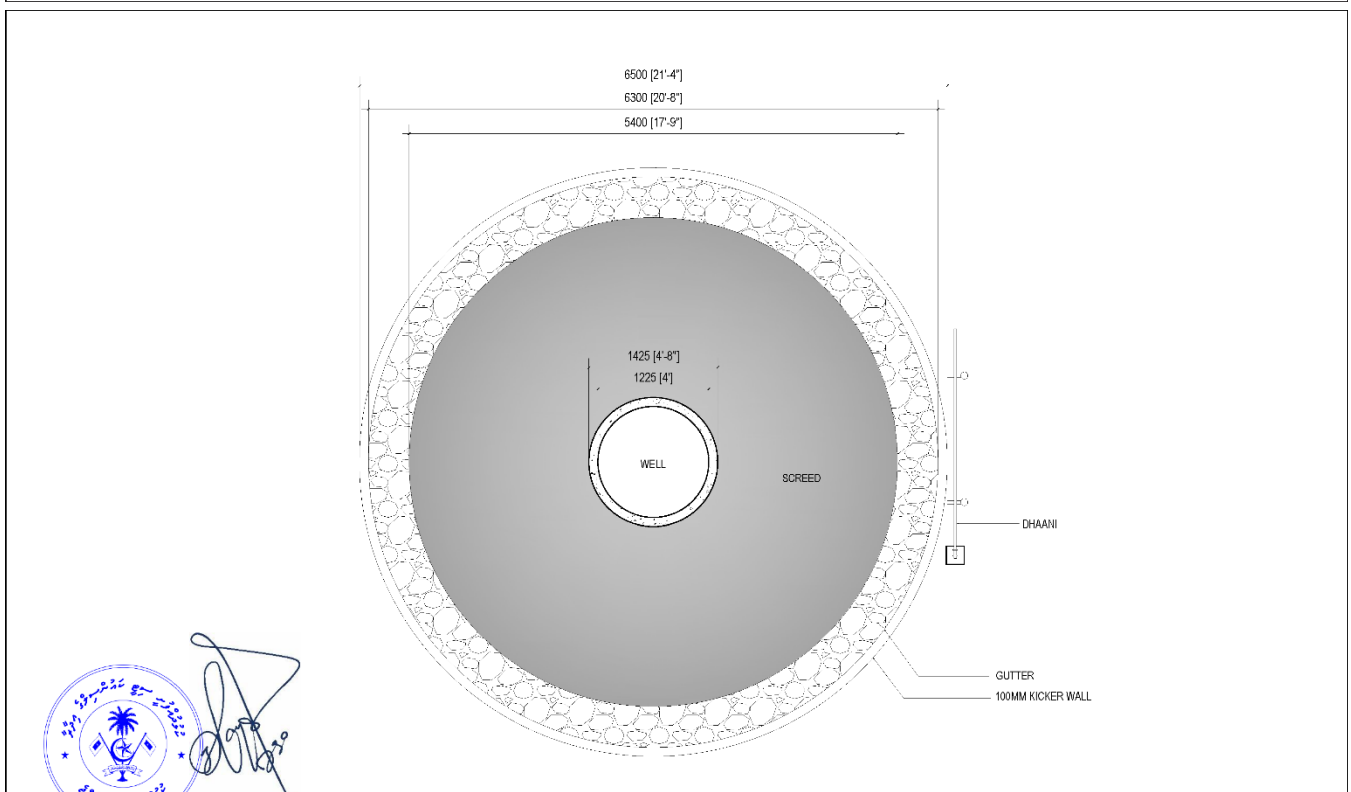
SHOWER-SECTION
SCALE: 1:50



SECRETARIAT OF THE KULHUDHUFFUSHI CITY COUNCIL AMEENEE MARGU, KULHUDHUFFUSHI CITY, 26110, REP. OF MALDIVES TEL: 9621 53401, info@kulhudhuffushicity.gov.mv	SHEET TITLE: SHOWER DRAWINGS	PROJECT: BOAZIYAARAY BEACH DEVELOPMENT	DRAWN BY: ADAM MOHAMED	DATE: 28 OCTOBER 2024	PAGE NO: 38
			CHECKED BY: IMRAN AHMED	SCALE: AS GIVEN	



SECRETARIAT OF THE KULHUDHUFFUSHI CITY COUNCIL AMEENEE MAGU, KULHUDHUFFUSHI CITY, 02110, REP. OF MALDIVES TEL: 1621 FAX: info@kulhudhuffushicity.gov.mv	SHEET TITLE: BEACH HUT DRAWINGS	PROJECT: BOAZIYAARAIY BEACH DEVELOPMENT	DRAWN BY: ADAM MOHAMED	DATE: 28 OCTOBER 2024	PAGE NO.:
			CHECKED BY: IMRAN AHMED	SCALE: AS GIVEN	39



SECRETARIAT OF THE KULHUDHUFFUSHI CITY COUNCIL AMEENEE MAGU, KULHUDHUFFUSHI CITY, 02110, REP. OF MALDIVES TEL: 1621 EMAIL: info@kulhudhuffushicity.gov.mv	SHEET TITLE: WELL DRAWINGS	PROJECT: BOAZIYAARAIY BEACH DEVELOPMENT	DRAWN BY: ADAM MOHAMED	DATE: 28 OCTOBER 2024	PAGE NO.:
			CHECKED BY: IMRAN AHMED	SCALE: AS GIVEN	40

WELL 2-PLAN
SCALE: 1:20

PUMP HOUSING DETAIL
SCALE: 1:20

SECRETARIAT OF THE KULHUDHUFFUSHI CITY COUNCIL
AMEENEE MANSU, KULHUDHUFFUSHI CITY, 2110, REP. OF MALDIVES
TEL: 1621 EMAIL: info@kulhudhuffushicity.gov.mv

SHEET TITLE: WELL DRAWINGS

PROJECT: BOAZIYAARAY BEACH DEVELOPMENT

DRAWN BY: ADAM MOHAMED
CHECKED BY: IMRAN AHMED

DATE: 26 OCTOBER 2024
SCALE: AS GIVEN

PAGE NO: 43

GROYNE (TYPE A) DETAILS
SCALE: 1:50

SECRETARIAT OF THE KULHUDHUFFUSHI CITY COUNCIL
AMEENEE MANSU, KULHUDHUFFUSHI CITY, 2110, REP. OF MALDIVES
TEL: 1621 EMAIL: info@kulhudhuffushicity.gov.mv

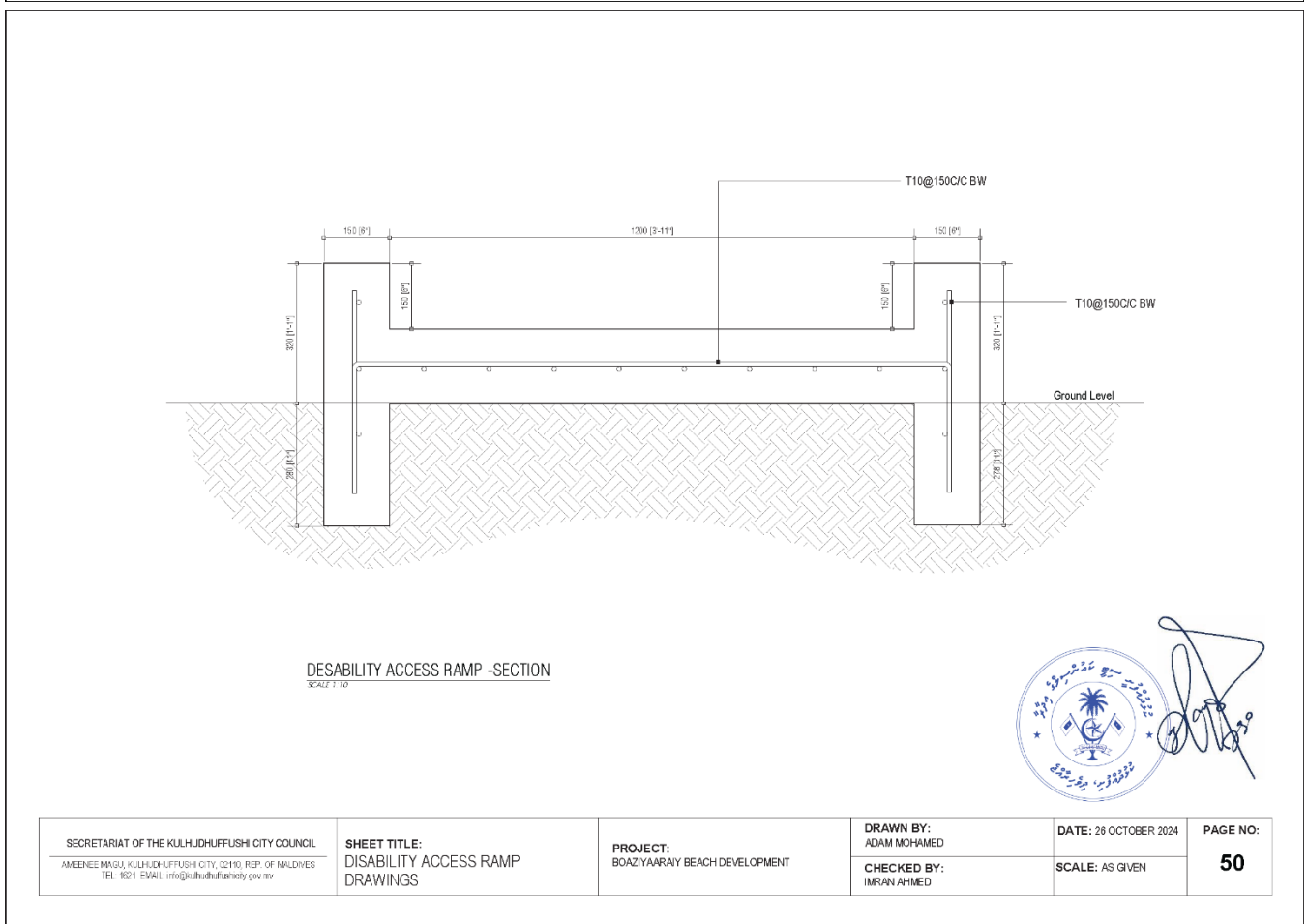
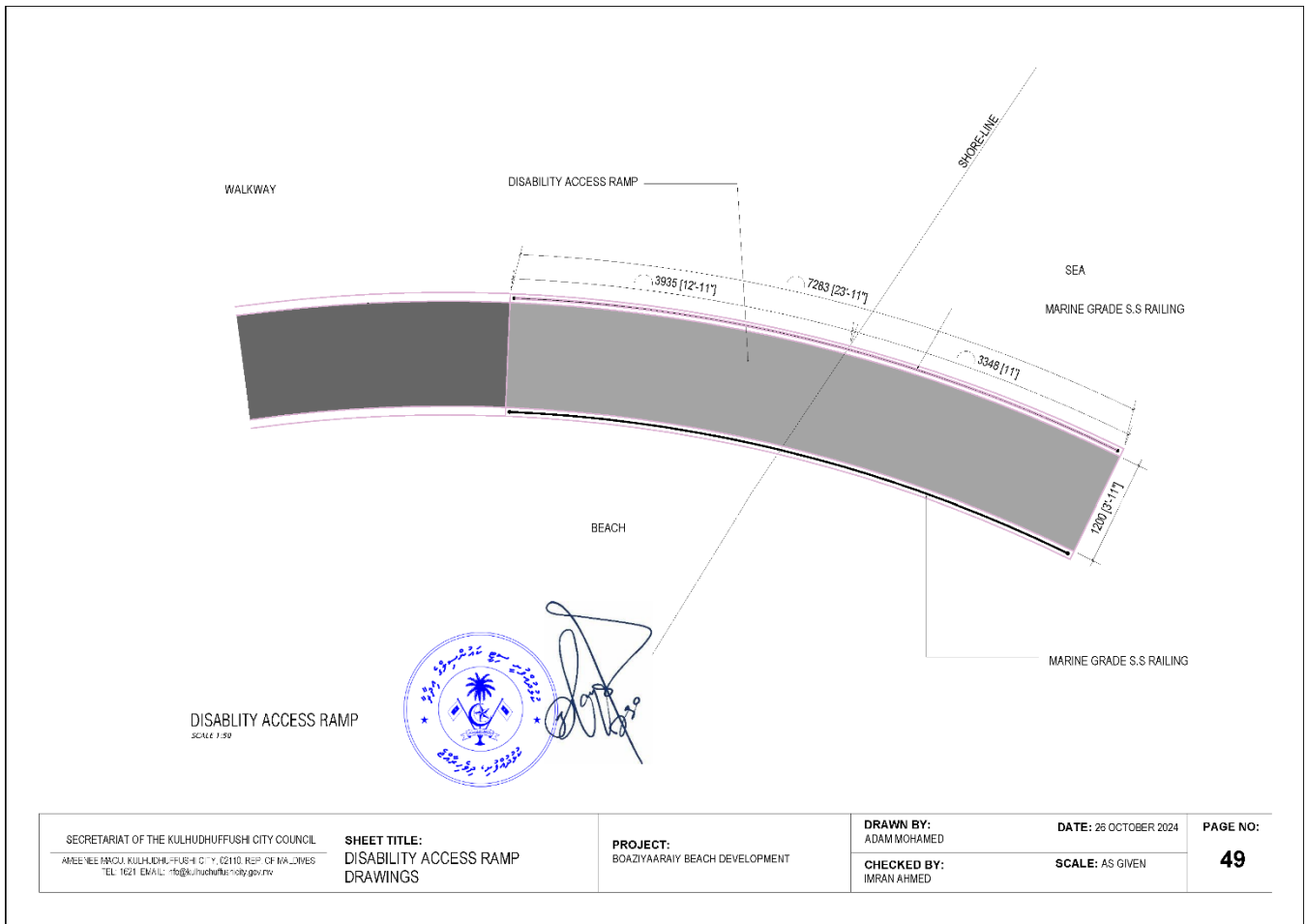
SHEET TITLE: GROYNE DRAWINGS

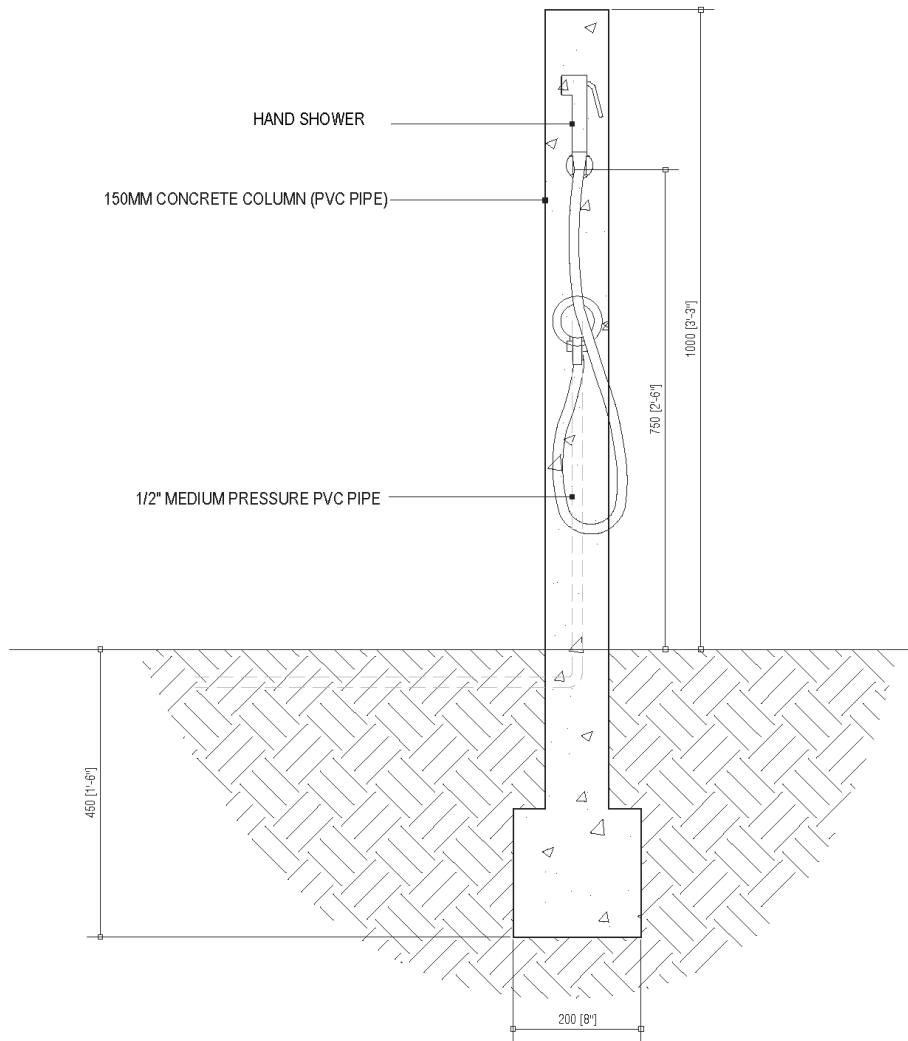
PROJECT: BOAZIYAARAY BEACH DEVELOPMENT

DRAWN BY: ADAM MOHAMED
CHECKED BY: IMRAN AHMED

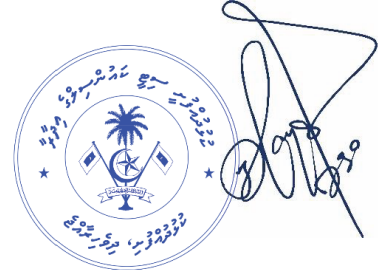
DATE: 26 OCTOBER 2024
SCALE: AS GIVEN

PAGE NO: 44

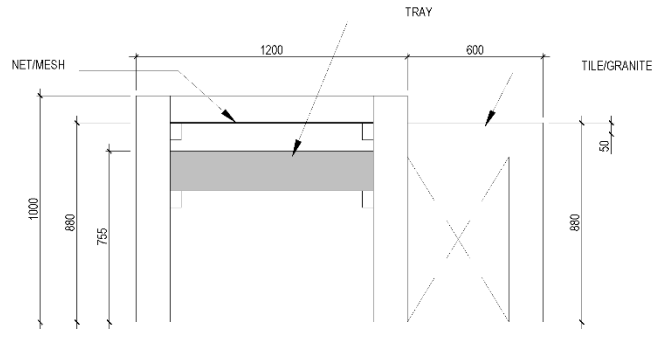
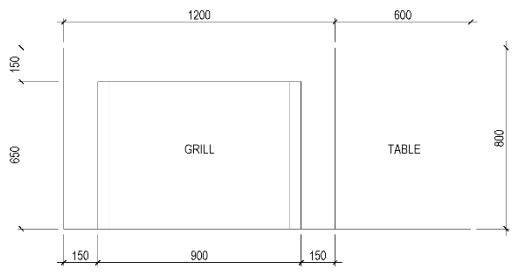




"FEN MUDI" DETAIL
SCALE 1:10



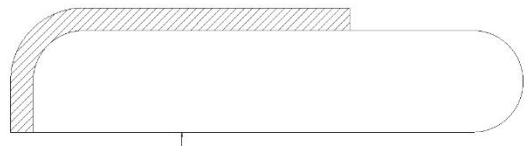
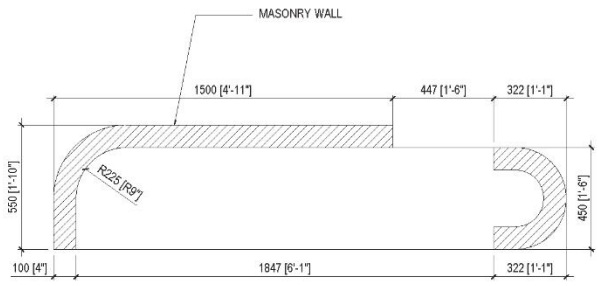
<p>SECRETARIAT OF THE KULHUDHUFFUSHI CITY COUNCIL AMEENE MAGU, KULHUDHUFFUSHI CITY, 02110, REP. OF MALDIVES TEL: 1621 EMAIL: info@kulhudhuffushicity.gov.mv</p>	<p>SHEET TITLE: FEN MUDI DRAWINGS</p>	<p>PROJECT: BOAZIYAARAY BEACH DEVELOPMENT</p>	<p>DRAWN BY: ADAM MOHAMED</p>	<p>DATE: 26 OCTOBER 2024</p>	<p>PAGE NO: 51</p>
			<p>CHECKED BY: IMRAN AHMED</p>	<p>SCALE: AS GIVEN</p>	



NOTE: ALL MASONRY USING HEAT TREATED CLAY-BRICKS AND CEMENT



SECRETARIAT OF THE KULHIDHUFFUSH CITY COUNCIL AMĒENĒ MANGU, KULHIDHUFFUSH CITY, 32110, REP. OF MALDIVES TEL: 1621 EVAAL info@kulhudhuffushcity.gov.mv	SHEET TITLE: BBQ GRILL DRAWINGS	PROJECT: BOAZIYAARAY BEACH DEVELOPMENT	DRAWN BY: ADAM MOHAMED	DATE: 26 OCTOBER 2024	PAGE NO: 52
			CHECKED BY: IMRAN AHMED	SCALE: AS GIVEN	



SECRETARIAT OF THE KULHIDHUFFUSH CITY COUNCIL AMĒENĒ MANGU, KULHIDHUFFUSH CITY, 32110, REP. OF MALDIVES TEL: 1621 EVAAL info@kulhudhuffushcity.gov.mv	SHEET TITLE: CONCRETE BENCH DRAWINGS	PROJECT: BOAZIYAARAY BEACH DEVELOPMENT	DRAWN BY: ADAM MOHAMED	DATE: 26 OCTOBER 2024	PAGE NO: 53
			CHECKED BY: IMRAN AHMED	SCALE: AS GIVEN	

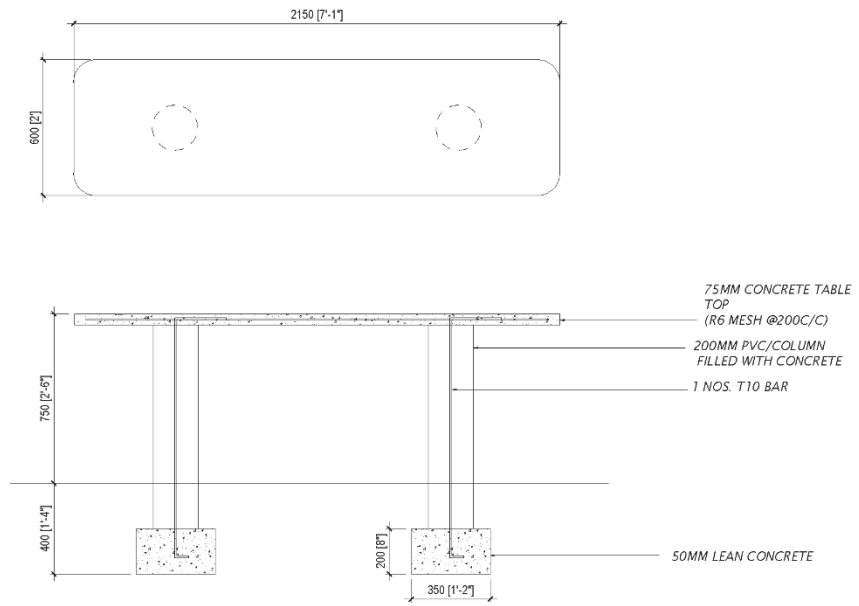
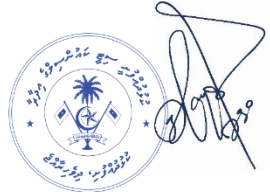
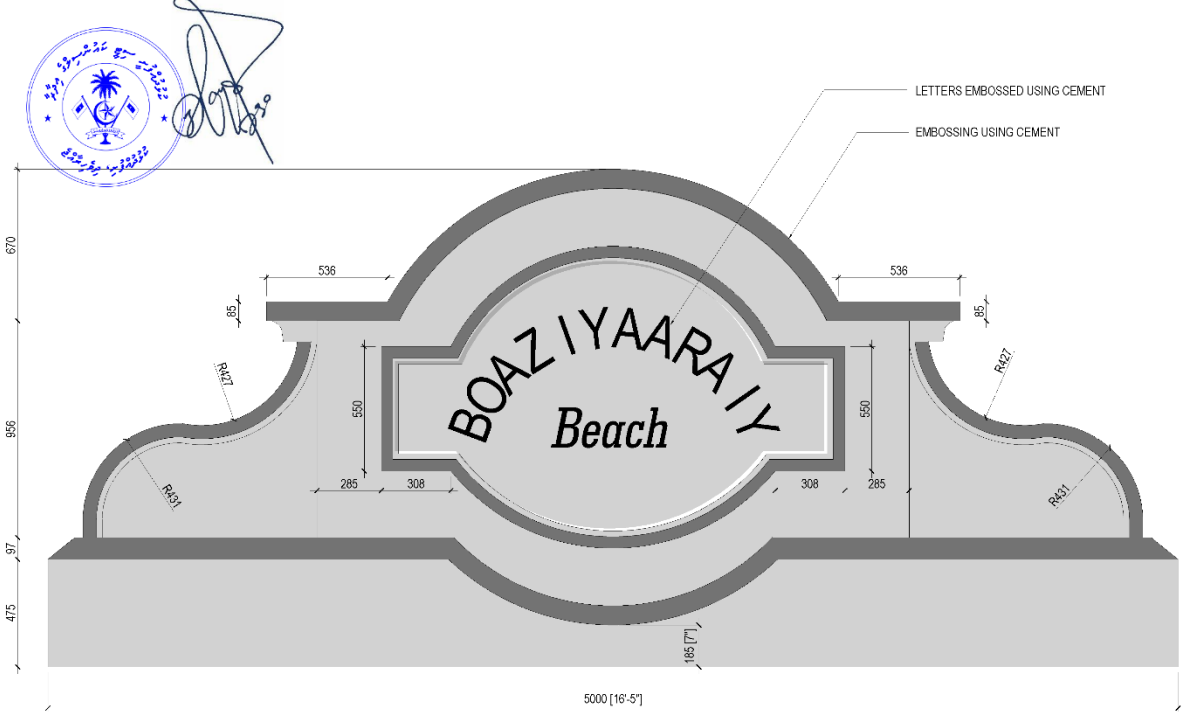


TABLE DETAILS (TYPE-3)
SCALE: 1:20



SECRETARIAT OF THE KULHUDHUFFUSHI CITY COUNCIL AMEENEE MAGU, KULHUDHUFFUSHI CITY, 02110, REP. OF MALDIVES TEL: 1621 FAX: info@kulhudhuffushicity.gov.mv	SHEET TITLE: CONCRETE TABLE DRAWINGS	PROJECT: BOAZIYAARIY BEACH DEVELOPMENT	DRAWN BY: ADAM MOHAMED	DATE: 28 OCTOBER 2024	PAGE NO: 54
			CHECKED BY: IMRAN AHMED	SCALE: AS GIVEN	

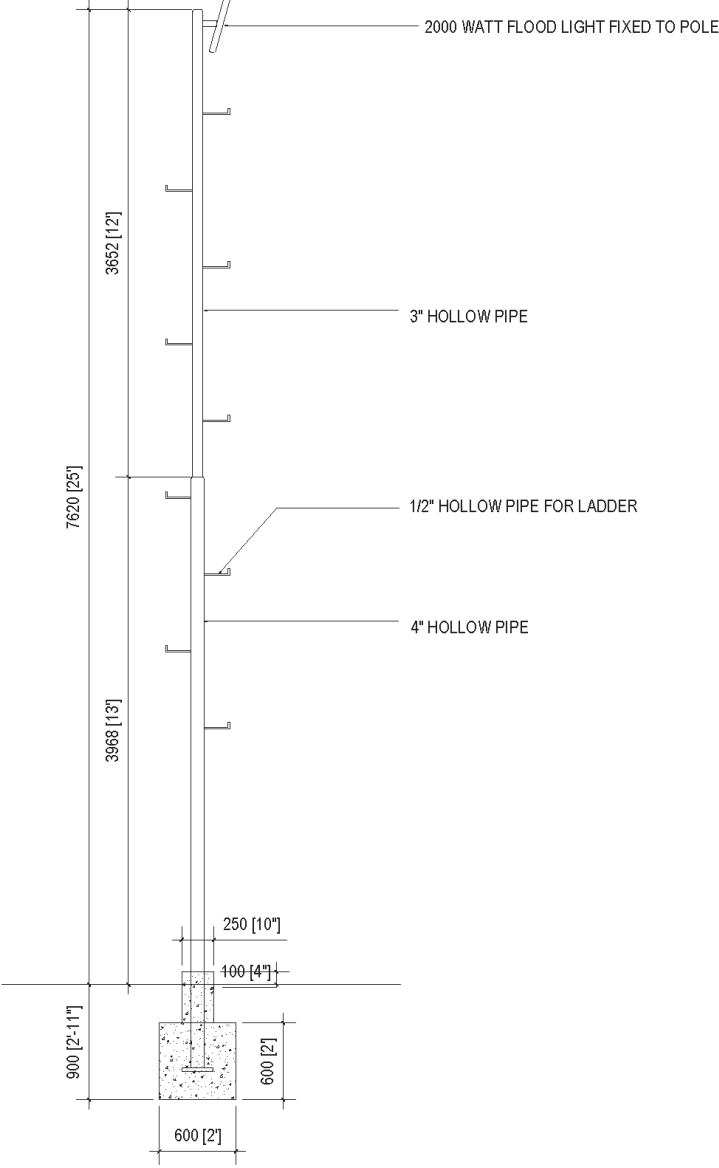
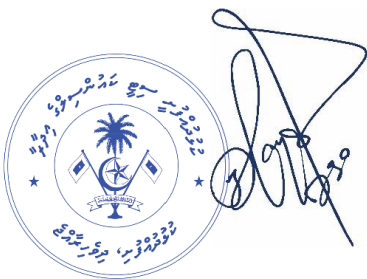


NOTE: MONUMENT CONSTRUCTED USING MASONRY

SECRETARIAT OF THE KULHUDHUFFUSHI CITY COUNCIL AMEENEE MAGU, KULHUDHUFFUSHI CITY, 02110, REP. OF MALDIVES TEL: 1621 EMAIL: info@kulhudhuffushicity.gov.mv	SHEET TITLE: NAME BOARD MONUMENT	PROJECT: BOAZIYAARIY BEACH DEVELOPMENT	DRAWN BY: ADAM MOHAMED	DATE: 28 OCTOBER 2024	PAGE NO: 55
			CHECKED BY: IMRAN AHMED	SCALE: AS GIVEN	



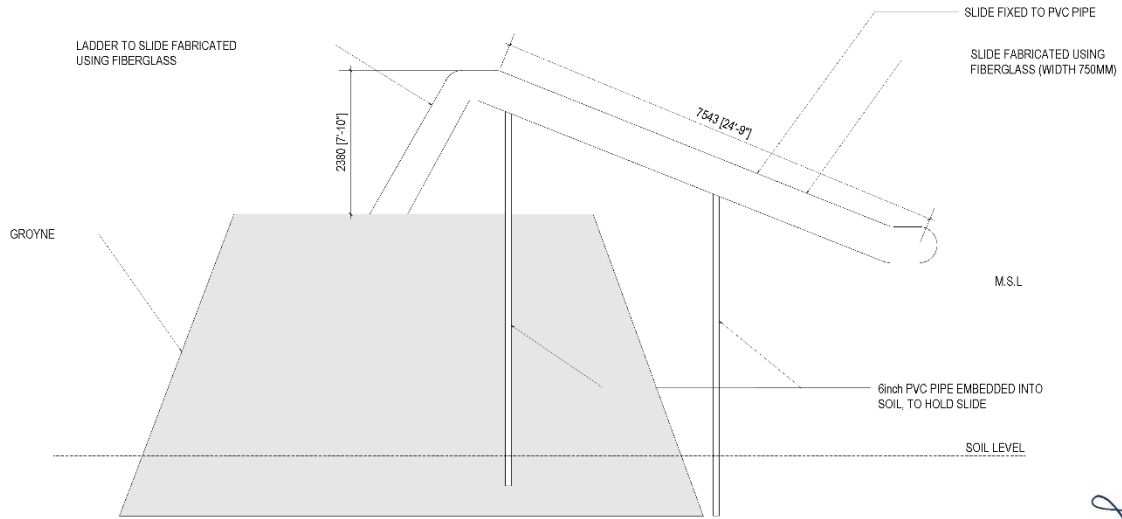
<p>SECRETARIAT OF THE KULHUDHUFFUSHI CITY COUNCIL <small>AMEENEE MANGU, KULHUDHUFFUSHI CITY, 20110, REP. OF MALDIVES TEL: 9621 23421, info@kulhudhuffushicity.gov.mv</small></p>	<p>SHEET TITLE: NAME BOARD SAMPLE</p>	<p>PROJECT: BOAZIYAARAY BEACH DEVELOPMENT</p>	<p>DRAWN BY: ADAM MOHAMED</p> <p>CHECKED BY: IMRAN AHMED</p>	<p>DATE: 28 OCTOBER 2024</p> <p>SCALE: AS GIVEN</p>	<p>PAGE NO: 55-1</p>
--	---	---	--	---	----------------------------------



FLOOD LIGHT POST DETAIL

SCALE 1:50

SECRETARIAT OF THE KULHUDHUFFUSHI CITY COUNCIL AMEENE MAGU, KULHUDHUFFUSHI CITY, 02110, REP. OF MALDIVES TEL: 1621 EMAIL: info@kulhudhuffushicity.gov.mv	SHEET TITLE: HUT-1 DRAWINGS	PROJECT: BOAZIYAARAY BEACH DEVELOPMENT	DRAWN BY: ADAM MOHAMED	DATE: 26 OCTOBER 2024	PAGE NO:
			CHECKED BY: IMRAN AHMED	SCALE: AS GIVEN	56



WATER SLIDE
SCALE 1:75



SECRETARIAT OF THE KULHUDHUFFUSH CITY COUNCIL AREA: 1621 E-MAIL: info@kulhudhuffushcity.gov.mv	SHEET TITLE: GROUYNE DRAWINGS	PROJECT: BOAZIYAARAIY BEACH DEVELOPMENT	DRAWN BY: ADAM MOHAMED CHECKED BY: IMRAN AHMED	DATE: 26 OCTOBER 2024 SCALE: AS GIVEN	PAGE NO: 57
---	---	---	---	--	------------------------------

Bill of Quantities

Boaziyaaraiy beach Development

SECRETARIAT OF THE KULHUDHUFFUSHI CITY COUNCIL

PREPARED BY

PROJECT: Boaziyaaraiv Beach development

SUMMARY OF BILL OF QUANTITIES

Bl.no	Item Description	Amount
1	PRELIMINARIES	-
2	GROUND WORKS	-
3	HUT-1	-
4	HUT-2	-
5	TOILET BLOCK	-
6	HUT-3, SHOWER, SWING, BBQ GRILL, FEN MUDI, WATER WELL SHOWER	-
7	BEACH & SHORE PROTECTION	-
8	ELECTRICAL WORKS	-
9	PLUMBING WORKS	-
10	OTHER WORKS	-
11	KIDS PLAY AREA EQUIPMENTS	-
12	ADDITIONS	-
13	OMISSIONS	-
	TOTAL Mvr	-
	8% GST Mvr	-
	GRAND TOTAL Mvr	-

PROJECT : Boaziyaaraiv beach development

Item	Description	Unit	Qty	Rate	Total
Note	<p><u>PREAMBLE TO BILL OF QUANTITY</u></p> <p>1. General</p> <p>a) The nature of this contract is measured unit price contract and the Bill of Quantity (BOQ) shall reflect this fact.</p> <p>b) BOQ shall be read and construed in conjunction with other Contract Documents</p> <p>c) The Tenderer is obliged to check the number of the pages of the Bill of Quantity and should any be found missing or duplicated or the figures or writing indistinct, the Tenderer must notify the Employer/Engineer at once and have the matter rectified before the Tender is submitted. No liability whatsoever will be accepted in respect of any claim for errors in the Tenderer's offer resulting from failure to comply with the foregoing.</p> <p>d) The Tenderer is deemed to have visited the site/s and fully acquainted himself as to the location of each of the items and works to be carried out and to all conditions which may affect the performance of the works, including but not limited to:</p> <ul style="list-style-type: none"> -Access to each of the roads where solid waste transfer process will be carried out, and Access for the dump site. -Restrictions applicable to working in Male City area. -All safety regulations and employer site safety procedures. -All Safety regulations. <p>e) The Tenderer is also deemed to have surveyed the actual condition of the site and buildings and made his own assessment of the type and extent of the works prior to submitting his offer</p> <p>2. Quantities</p> <p>Even though that practical care was exercised in preparing the BOQ, but all quantities given herein shall be deemed to be estimated quantities of the work to be done but they are not to be taken as actual and correct quantities of the work to be executed and they are not to absolve the contractor of his obligations under the Contract. They are not to be taken as guarantee that the actual quantities increase or decrease, and any claim whatsoever submitted for cost or extra expenses incurred from such increase or decrease will not be accepted by Employer/Engineer except where else stipulated in the Contract.</p>				

3. Materials

All materials used are to be of the best new available and subject to the Employer/Engineer approval, and of durable nature, guaranteed, not liable to any base exchange and manufactured according to applicable BS, ASTM or DIN Standards. Execution also is subject to approval of Employer/Engineer and shall be the best available common practice in engineering codes at the time of execution.

4. Unit Price and Currency

The Unit Prices entered against the various items in the following Bill of Quantities include all operations for execution, completion and maintenance of the various items of the works finished completely in every respect till the final acceptance as specified or described in the Tender Documents, with or without modifications, either by way of additions or deductions, or alterations as may be offered in writing during the progress of the works, and include, without being limited to, all matters and things particularly referred to in the Tender Documents.

The Unit Price shall cover all costs of every kind whatsoever including, without being limited to, all charges for additional site installations, relocation, supervision, labor, transportation and supply of materials; the provision, maintenance, use and efficient repair of all plant, equipment and appliance of every kind, the construction and maintenance of all temporary works, the performance of all services and the fulfillment of all obligations and responsibilities herein defined.

The Tenderer shall be deemed to have fully considered all the conditions, obligations, and requirements of the Tender Documents before entering the respective unit price against the various items of the Bill of Quantities.

The Unit Prices given hereunder the BOQ shall also include erection, installation, fixing, and re-fixing of all elements. These prices shall also include taxes, visa for labor, gate passes, accommodations for the Contractor's staff and labors, all required insurance and work permits, guarantees, bonds, traffic plan requirements, safety procedures, etc. and all requirements necessary to have the work maintained until its final handing over.

Item	Description	Unit	Qty	Total
The Unit Prices given hereunder in the Bill of Quantity for this work shall also include overheads, risks, profit etc. and all other financial matters to have all these civil works completed.				
BILL No: 01				
PRELIMINARIES				
1.1	General Notes			
(1)	Abbreviations m - metre no - numbers m ³ - cubic metre m ² - square metre m - metre t - tonnes incl - including mm - millimetre dia - diameter SS - Stainless Steel GI - Galvanised Iron			
1.2	Site Management Costs			
(1)	Allow for all on and off site management cost including costs of foreman and assistants, temporary services, telephone, fax, hoardings, fences, Crane/Concrete pump, Machinaries and similar items	Item	1.00	-
1.3	Sign Board			
(1)	Allow for sign board.	nos	1.00	-
1.4	SAFETY			
(1)	Safety - Providing temporary fence with G.I. pipes/timber and clamps and GI roofing sheets around the work site during construction	Item	1.00	-
1.5	Clean-up			
(1)	Allow for clean-up of completed works and site upon completion.	Item	1.00	-
BILL No: 01 PRELIMINARIES				
TOTAL OF BILL No: 01 - Carried over to summary				-

PROJECT : Boaziyaaraiy beach development

Item	Description	Unit	Qty	Rate	Total
	<u>BILL NO : 02</u> <u>GROUND WORK</u>				
2.1	<u>General</u> (a) Rates shall include for: leveling, grading, trimming, compacting to faces of excavation, keep sides plumb, backfilling, consolidating, additional working space and disposing surplus soil.				
2.2	<u>Site clearance</u> Clearing site - Removal of unwanted Trees, Shrubs, Relocation of Trees/palms inside the boundary if necessary.	item	1.00		-
2.4	<u>Excavation</u> (a) Excavation includes for foundation of structures				
2.4.1	<u>Excavation</u>	item	1.00		-
2.4.2	<u>Back filling</u> (a) Rates shall include for: leveling, grading, trimming and compacting. (b) Ground need to be compacted to the density required by the consultant (c) Rates should include for levelling of existing ground and backfilling for elevated zones in the beach.				
	Back filling	item	1.00		-
BILL No: 02 GROUND WORKS					-
TOTAL OF BILL No: 02 - Carried over to summary					-

PROJECT : Boaziyaaraiy beach development

Item	Description	Unit	Qty	Rate	Total
BILL NO : 03					
HUT-1					
3.0	CONCRETE WORKS (a) Rates shall include for: placing in position; making good after removal of formwork and casting in all required items; additional concrete required to conform to structural and excavated tolerances. (b) Mix ratio for reinforced concrete shall be 1:2:3 (Cement:Sand:Aggregate) and lean concrete shall be 1:7 (Cement:Sand) (c) Quantity is measured to the edges of concrete foundation members. Rates shall be inclusive for any additional concrete				
3.0.1	LEAN CONCRETE 50mm thick lean concrete below Foundation Foundation Footings & Tie beams	m ³	0.39		-
3.0.2	REINFORCED CONCRETE				
1	Foundations footings	m ³	0.30		-
2	Tie beams	m ³	1.27		-
3	Columns	m ³	0.77		-
4	Roof beams	m ³	1.37		-
5	Concrete shelves	m ³	2.25		-
3.0.3	FORM WORK (a) Exposed surface shall have fair finish while remaining may have rough finish. (b) Timber used for unexposed concrete surface shall sound dressed and seasoned good quality common timber (c) Plywood used for forms shall be of commercial standard, moisture resistane concrete form plywoodnot less than 6mm thick and atleast 12mm thick. (d) Rates shall include for, all necessary boarding, supports, erecting, framing, temporary cambering cutting, perforations for reinforcing bars, bolts, straps, ties, hangers, pipes and removal of formwork.				
1	Foundations footings	m ²	2.40		-
2	Tie beams	m ²	12.70		-
3	Columns	m ²	15.36		-
4	Roof beams	m ²	19.10		-
5	Concrete shelves	m ²	4.00		-
3.0.4	REINFORCEMENT WORK (a) Main reinforcement steel shall be high tensile steel hot rolled deformed bars complying with BS 1119 or BS 1172 Characteristic strength not less than 160N/mm2.				

3.3	<u>FLOORING & TILING</u>				
3.3.1	<u>General</u>				
	(a) Rates shall include for laying 50mm thick cement mortar in 1 : 5 mix ratio, cleaning down to reveals where necessary and water proofing of Toilet and Balcony floors & Terrace.				
3.3.2	<u>SCREEDING</u>				
	50mm thick Floor screed in feeding room	m ²	3.24		-
3.3.3	<u>TILING</u>				
	(a) Rates shall include for: Fixing, bedding, grouting, and pointing materials, making good around pipes, sanitary fixtures, and similar; cleaning & Polishing.				
	(b) All Tiling work in accordance with specifications and finishes schedule.				
	(c) Tiles rate shall be given as specified in the drawing.				
	200x1200mm Homogenous parquet floor tile in feeding room	m ²	3.24		-
3.3.4	<u>POOL DECKING</u>				
	(a) Rates shall include for supply and installation of outdoor pool decking according to the specifications.				
1	Pool decking	m ²	67.85		-
3.4	<u>DOORS AND WINDOWS</u>				
3.4.1	<u>General</u>				
	(a) Rates shall include for locks, latches, closers, push plates, pull handles, bolts, kick plates, hinges and all door & window hardware.				
	(b) Rates shall include for door frames and window frames, mullions, transoms, trims, glazing, tinting, timber panels, boardings, framing, lining, fastenings and all fixings and installation.				
	(c) All Timber door frames shall be treated timber. Rate shall include for Paint/Varnish finish.				
	(d) All louvres, windows and sliding doors shall be 30 micron powder coated aluminium as per details given in Door/Window schedule.				
	(e) All doors and windows shall be accordance with door/window drawing details.				
1)	D01	nos	1.00		-
3.5	<u>WALL FINISHES</u>				
3.5.1	<u>General</u>				
	(b) All finishing work shall be carried in accordance with the Specifications				
	(c) Rate shall include for providing a titanium finish on the walls				
1	Smooth Titanium finish of plastered walls, columns and beams, concrete shelves. Mix ratio 1:7 (Titanium: OPC)	m ²	85.00		-
3.6	<u>HYDRAULICS & DRAINAGE</u>				
3.6.1	<u>General</u>				
	(a) Design provide and install plumbing network				

	(c) Ground water connection shall be made as specified in the drawings.				
	(d) The cost shall include for; sockets, running joints, connectors, elbows, junctions, reducers, expansion joints, back nuts and similar, incidental fittings, clips, saddles, brackets, straps, hangers, screws, nails , pvc glues, threadseals and fixing complete, including cutting and forming holes, excavating, laying pipes , backfilling trenches.				
	(e) All pipes shall be High Pressure uPVC "Mutha" or equivalent brand.				
3.6.2	HYDRAULICS				
a)	Charges for Piping for fresh water Pipe work for wash basin	item	1.00		-
3.6.3	SANITARY FIXTURES & ACCESSORIES				
1	Gully Trap	nos	1.00		-
2	Wash Basin with Faucet	nos	1.00		-
3	Gate Valve	nos	1.00		-
3.6.4	DRAINAGE				
1)	Charges for piping for all discharge pipes from wash basin to main drainage pipe.	item	1.00		-
3.7	ROOFING WORKS				
3.7.1	General				
	(a) Rates shall include for: all labour in framing, notching and fitting around projections, and complete with cleats, packers, wedges and similar and all nails and screws and the like.				
	(b) Rates shall include for fair edges, dressing over angle fillets, turning into grooves, all other labors, circular edges, nails, screw and other fixings and laps.				
	(c) Roofing sheets shall be Lysaght/Color bond. Design to be approved.				
1	Roofing Sheets	m ²	78.00		-
2	Ridge capping	m	25.00		-
4	50x200mm timber ridge beam	m	4.40		-
5	50x100mm timber rafters	m	136.00		-
6	50x38mm timber battens	m	134.00		-
7	12x250mm timber fascia board	m	35.40		-
8	Timber roof trusses	nos	3.00		-
BILL No: 04 HUT 1					-
TOTAL OF BILL No: 04 - Carried over to summary					-

PROJECT : Boaziyaaraiy beach development

Item	Description	Unit	Qty	Rate	Total
	<u>BILL NO : 04</u> <u>HUT-2</u>				
4.0	<u>CONCRETE WORKS</u> (a) Rates shall include for: placing in position; making good after removal of formwork and casting in all required items; additional concrete required to conform to structural and excavated tolerances. (b) Mix ratio for reinforced concrete shall be 1:2:3 (Cement:Sand:Aggregate) and lean concrete shall be 1:7 (Cement:Sand) (c) Quantity is measured to the edges of concrete foundation members. Rates shall be inclusive for any additional concrete				
4.0.1	<u>LEAN CONCRETE</u> <u>50mm thick lean concrete below Foundation</u> Foundation Footings & Tie beams	m ³	0.22		-
4.0.2	<u>REINFORCED CONCRETE</u>				
1	Foundations footings	m ³	0.16		-
2	Tie beams	m ³	0.70		-
3	Columns	m ³	0.51		-
4	Roof beams	m ³	0.88		-
5	Concrete table	m ³	0.52		-
4.0.3	<u>FORM WORK</u> (a) Exposed surface shall have fair finish while remaining may have rough finish. (b) Timber used for unexposed concrete surface shall sound dressed and seasoned good quality common timber (c) Plywood used for forms shall be of commercial standard, moisture resistane concrete form plywood not less than 6mm thick and atleast 12mm thick. (d) Rates shall include for, all necessary boarding, supports, erecting, framing, temporary cambering cutting, perforations for reinforcing bars, bolts, straps, ties, hangers, pipes and removal of formwork.				
1	Foundations footings	m ²	1.44		-
2	Tie beams	m ²	7.00		-
3	Columns	m ²	10.24		-
4	Roof beams	m ²	12.23		-
5	Concrete table	m ²	1.91		-
4.0.4	<u>REINFORCEMENT WORK</u> (a) Main reinforcement steel shall be high tensile steel hot rolled deformed bars complying with BS 1119 or BS 1172 Characteristic strength not less than 160N/mm ² .				

	(b) Stirrups shall be hot rolled mildsteel round bars complying with BS 1119, Characteristic strength not less than 250N/mm ²				
	(c) Rates shall include for; distribution steel, cleaning, fabrication, placing, the provision for all necessary temporary fixings, and supports including chairs and tie wire , laps and wastage.				
1	Foundations footings 10mm dia deformed bars - 6m	Nos	3.00		-
2	Tie beams 12mm dia deformed bars - 6m	Nos	12.00		-
	6mm mild steel bars - 6m	Nos	14.00		-
3	Columns 10mm dia deformed bars - 6m	Nos	16.00		-
	6mm mild steel bars - 6m	Nos	10.00		-
4	Roof beams 12mm dia deformed bars - 6m	Nos	12.00		-
	6mm mild steel bars - 6m	Nos	16.00		-
4	Concrete bench 10mm dia deformed bars - 6m	Nos	1.00		-
	6mm mild steel bars - 6m	Nos	3.00		-
4.1	<u>MASONRY AND PLASTERING</u>				
4.1.1	<u>General</u>				
	a)Rates shall include for cleaning out cavities, forming rebated reveals and pointing and cleaning down to reveals where necessary; fractional size blocks, all necessary machine cutting, cutting or forming chases or edges of floor slabs.				
	b)Cutting or leaving holes and openings as recesses for and building in pipes, conduits , sleeves and similar as required for all trades; leaving surfaces rough or raking out joints for plastering and flashings, bedding frames or plates, building in joints.				
	c) All external wall and all inetrenal walls shall be 100mm thick Solid cement blocks and for masonry mix ratio 1:5 (cement and sand)				
	(d) 15mm thick Cement plastering on Exterior surface of External masonry walls and concrete surfaces and 15mm thick plastering on interior walls and concrete surface as specified incl. wire mesh shall be fixed at the joints of concrete surfaces and walls before plastering.				
	e) Rates shall include for approved brand water proofing compound shall be mixed with cement mortar for external wall plastering as per manufacturers specifications.				
4.1.2	<u>MASONRY & PLASTERING WORKS</u>				
1	Masonry & plastering works of benches as per drawings & specifications	item	1.00		-
4.3	<u>TILING</u>				
	(a) Rates shall include for: Fixing, bedding, grouting, and pointing materials, making good around pipes, sanitary fixtures, and similar; cleaning & Polishing.				
	(b) All Tiling work in accordance with specifications and finishes schedule.				

	(c) Tiles rate shall be given as specified in the drawing.				
	Tiling works in masonry benches	m ²	9.53		-
4.5	<u>WALL FINISHES</u>				
4.5.1	General				
	(b) All finishing work shall be carried in accordance with the Specifications				
	(c)Rate shall include for providing a titanium finish on the walls				
1	Smooth Titanium finish of plastered walls, columns and beams, concrete shelves. Mix ratio 1:7 (Titanium; OPC)	m ²	42.33		-
4.6	<u>ROOFING WORKS</u>				
4.6.1	General				
	(a) Rates shall include for: all labour in framing, notching and fitting around projections, and complete with cleats, packers, wedges and similar and all nails and screws and the like.				
	(b) Rates shall include for fair edges, dressing over angle fillets, turning into grooves, all other labors, circular edges, nails, screw and other fixings and laps.				
4.6.2	Roofing				
1	Roofing Sheets	m ²	27.60		-
2	Ridge capping	m	18.00		-
5	50x100mm timber rafters	m	75.90		-
6	50x38mm timber battens	m	71.00		-
7	12x250mm timber fascia board	m	25.40		-
BILL No: 04 HUT 2					-
TOTAL OF BILL No: 04 - Carried over to summary					-

PROJECT : Boaziyaaraiy beach development

Item	Description	Unit	Qty	Rate	Total
	<u>BILL NO : 05</u> <u>TOILET BLOCK</u>				
5.0	<u>CONCRETE WORKS</u> (a) Rates shall include for: placing in position; making good after removal of formwork and casting in all required items; additional concrete required to conform to structural and excavated tolerances. (b) Mix ratio for reinforced concrete shall be 1:2:3 and lean concrete shall be 1:2:6 by volume. (c) Quantity is measured to the edges of concrete foundation members. Rates shall be inclusive for any additional concrete				
5.0.1	<u>LEAN CONCRETE</u> <u>50mm thick lean concrete below Foundation</u> Foundation Footings & Tie beams	m ³	0.26		-
5.0.2	<u>REINFORCED CONCRETE</u>				
1	Foundations footings	m ³	0.45		-
2	Tie beams	m ³	0.75		-
3	Columns	m ³	0.96		-
4	Floor beams	m ³	1.05		-
5	Floor slabs	m ³	4.09		-
5.0.3	<u>FORM WORK</u> (a) Exposed surface shall have fair finish while remaining may have rough finish. (b) Timber used for unexposed concrete surface shall sound dressed and seasoned good quality common timber (c) Plywood used for forms shall be of commercial standard, moisture resistane concrete form plywoodnot less than 6mm thick and atleast 12mm thick. (d) Rates shall include for, all necessary boarding, supports, erecting, framing, temporary cambering cutting, perforations for reinforcing bars, bolts, straps, ties, hangers, pipes and removal of formwork.				
1	Foundations footings	m ²	2.40		-
2	Tie beams	m ²	6.00		-
3	Columns	m ²	19.20		-
4	Floor beams	m ²	22.00		-
5	Floor slabs	m ²	12.90		-
5.0.4	<u>REINFORCEMENT WORK</u> (a) Main reinforcement steel shall be high tensile steel hot rolled deformed bars complying with BS 1119 or BS 1172 Characteristic strength not less than 160N/mm ² .				

	(b) Stirrups shall be hot rolled mildsteel round bars complying with BS 1119, Characteristic strength not less than 250N/mm ²			
	(c) Rates shall include for; distribution steel, cleaning, fabrication, placing, the provision for all necessary temporary fixings, and supports including chairs and tie wire , laps and wastage.			
1	Foundations footings 10mm dia deformed bars - 6m	Nos	5.00	-
2	Tie beams 12mm dia deformed bars - 6m	Nos	16.00	-
	6mm mild steel bars - 6m	Nos	28.00	-
3	Columns 12mm dia deformed bars - 6m	Nos	17.00	-
	6mm mild steel bars - 6m	Nos	20.00	-
4	Slab beams 12mm dia deformed bars - 6m	Nos	32.00	-
	6mm mild steel bars - 6m	Nos	28.00	-
5	Slabs 10mm dia deformed bars - 6m	Nos	200.00	-
5.1	<u>MASONRY AND PLASTERING</u>			
5.1.1	<u>General</u>			
	a)Rates shall include for cleaning out cavities, forming rebated reveals and pointing and cleaning down to reveals where necessary; fractional size blocks, all necessary machine cutting, cutting or forming chases or edges of floor slabs.			
	b)Cutting or leaving holes and openings as recesses for and building in pipes, conduits , sleeves and similar as required for all trades; leaving surfaces rough or raking out joints for plastering and flashings, bedding frames or plates, building in joints.			
	c) All external wall and all internal walls shall be 100mm thick Solid cement blocks and for masonry mix ratio 1:5 (cement and sand)			
5.1.2	<u>MASONRY WORKS</u>			
1	100mm thick hollow masonry block wall	m ²	55.60	-
5.2	<u>PLASTERING</u>			
	(a) 15mm thick Cement plastering on Exterior surface of External masonry walls and concrete surfaces and 15mm thick plastering on interior walls and concrete surface as specified incl. wire mesh shall be fixed at the joints of concrete surfaces and walls before plastering. thick (15mm) in 1:4 cement and maldivian coral sand mix ratio			
	c) Rates shall include for approved brand water proofing compound shall be mixed with cement mortar for external wall plastering as per manufacturers specifications.			
5.2.1	15mm plastering in external & internal walls	m ²	111.20	-
5.3	<u>FLOORING & TILING</u>			
5.3.1	<u>General</u>			

	(a) Rates shall include for laying 50mm thick cement mortar in 1 : 5 mix ratio, cleaning down to reveals where necessary and water proofing of Toilet and Balcony floors & Terrace.			
5.3.2	SCREEDING			
	50mm thick Floor screed	m ²	24.40	-
5.3.3	TILING			
	(a) Rates shall include for: Fixing, bedding, grouting, and pointing materials, making good around pipes, sanitary fixtures, and similar; cleaning & Polishing.			
	(b) All Tiling work in accordance with specifications and finishes schedule.			
	(c) Tiles rate shall be given as specified in the drawing.			
1	300x300mm Homogenous floor tile in toilet floor	m ²	7.84	-
2	Parquet tiles on Toilet block wash area floor	m ²	8.52	-
5.4	DOORS AND WINDOWS			
5.4.1	General			
	(a) Rates shall include for locks, latches, closers, push plates, pull handles, bolts, kick plates, hinges and all door & window hardware.			
	(b) Rates shall include for door frames and window frames, mullions, transoms, trims, glazing, tinting, timber panels, boardings, framing, lining, fastenings and all fixings and installation.			
	(c) All Timber door frames shall be treated timber. Rate shall include for Paint/Varnish finish.			
	(d) All louvres, windows and sliding doors shall be 30 micron powder coated aluminium as per details given in Door/Window schedule.			
	(e) All doors and windows shall be accordance with door/window drawing details.			
1	D01	nos	2.00	-
2	D02	nos	1.00	-
3	V1	nos	2.00	-
5.5	WALL FINISHES			
5.5.1	General			
	(b) All finishing work shall be carried in accordance with the Specifications			
	(c) Rate shall include for providing a titanium finish on the walls			
1	300x600mm Homogenous wall tile (matt smooth finish) in toilet interior wall & basin front wall	m ²	41.50	-
2	Titanium finish on toilet exterior walls (1:7)	m ²	38.30	-
2	Stone tiles on basin front wall exterior side and planter box	m ²	7.29	-
5.6	HYDRAULICS & DRAINAGE			
5.6.1	General			
	(a) Design provide and install plumbing network for the entire building complete in accordance to standard set by the local governing body MWSC			

	(b) The following items and description and the plumbing drawings are given as guidance as to the nature of the information to be returned by the contractor. (c) Ground water connection shall be made as specified in the drawings. (d) The cost shall include for; sockets, running joints, connectors, elbows, junctions, reducers, expansion joints, back nuts and similar, incidental fittings, clips, saddles, brackets, straps, hangers, screws, nails , pvc glues, threadseals and fixing complete, including cutting and forming holes, excavating, laying pipes , backfilling trenches. (e) All pipes shall be High Pressure uPVC "Mutha" or equivalent brand. (f) All flush tanks should be connected to well water. Other fixtures should switchable between well water and fresh supply water				
5.6.2	<u>HYDRAULICS</u>				
1	Internal piping for toilet block	item	1.00		-
5.6.3	<u>SANITARY FIXTURES & ACCESSORIES</u>				
1	Wash Basin with Faucet	nos	2.00		-
2	Water closet	nos	2.00		-
3	Muslim shower	nos	2.00		-
4	Floor drain	nos	2.00		-
5.6.4	<u>SEWERAGE & DRAINAGE</u>				
1)	Internal sewerage piping for toilet block	item	1.00		-
BILL No: 05 Toilet block					-
TOTAL OF BILL No: 05 - Carried over to summary					-

PROJECT : Boaziyaaray beach development

Item	Description	Unit	Qty	Rate	Total
	BILL NO : 06				
	HUT-3, SHOWER, SWING, BBQ GRILL, FEN MUDI				
6.0	GENERAL (a) Rates shall include for: placing in position; making good after removal of formwork and casting in all required items; additional concrete required to conform to structural and excavated tolerances. (b) Mix ratio for reinforced concrete shall be 1:2:3 and lean concrete shall be 1:2:6 by volume. (c) Quantity is measured to the edges of concrete foundation members. Rates shall be inclusive for any additional concrete (d) Timber used for unexposed concrete surface shall sound dressed and seasoned good quality common timber while for exposed concrete surfaces dressed and matched e) All walls shall be 100mm thick Solid cement blocks and for masonry mix ratio 1:5 (cement and sand)				
6.1	HUT-3 Complete fabrication & installation of hut using Fiber glass. Rates shall include for concrete works				
1	Hut-3	nos	6.00		-
2	Supply of beach chairs	nos	16.00		-
6.2	SHOWER Construction of Shower using masonry blocks as per drawings and specifications Rates shall include for: Concrete works (0.33 m3) Masonry works (18 m2) Plastering works (36 m2) Screed (14.22 m2) Tiling (43.97 m2) Titanium finish (31 m2) Internal Plumbing				
1	Shower	nos	2.00		-
6.2	SWING Construction of swing as per drawings and specifications. All timber use should be 'Red Meranti'				

1	Swing (TYPE-1)	nos	4.00	-
2	Swing (TYPE-2)	nos	1.00	-
3	Timber Trellis & Poly-carbonate sheeting	item	1.00	-
6.3 <u>BBQ GRILL</u>				
Construction of BBQ grill as per drawings and specifications.				
1	BBQ grill	nos	3.00	-
6.4 <u>FEN-MUDI</u>				
Construction of Fen mudi as per drawings				
Rates should include for plumbing and plumbing materials along with sanitary fixtures				
1	Fen mudi	nos	3.00	-
6.4 <u>WATER WELL SHOWER AREA</u>				
1	Demolition of existing water well wall	} item	1.00	-
2	Construction of above ground part of well using concrete including screeding, finishing using titanium finish, gutter works			
3	Dhaani stand as per drawings	item	1.00	-
4	Dhaani	nos	4.00	-
BILL No: 06 Hut 3, Shower, Swing, BBQ hut, Fen mudi				-
TOTAL OF BILL No: 06 - Carried over to summary				-

PROJECT : Boaziyaaraiy beach development

Item	Description	Unit	Qty	Rate	Total
BILL NO : 07					
BEACH & PROTECTION WORKS					
7.0	GENERAL (a) Rates shall include for: placing in position; making good after removal of formwork and casting in all required items; additional concrete required to conform to structural and excavated tolerances.				
7.1	SHORE PROTECTION Construction of groynes for shore protection using Geo bags to given drawings & specifications Geo-bags should be double stiched using geobad sewing threads				
1	Construction of groynes	item	1.00		-
2	Supply of extra geo-bags with sewing thread of given specifications	nos	3,000.00		-
7.2	SAND NOURISHMENT This includes removal of existing sand and rocks to a depth of 300mm using sieving/screening bucket, 10ft inland from shoreline and 15ft toward the sea from shoreline. The sand required for the nourishment of this area will be provided by the council. Rates should include for transporation of sand				
1	Sand nourishment	item	1.00		-
BILL No: 07 Beach & shore protectfon works					-
TOTAL OF BILL No: 07 - Carried over to summary					-

PROJECT : Boaziyaaraiy beach development

Item	Description	Unit	Qty	Rate	Total
	<u>BILL NO : 08</u> <u>ELECTRICAL WORKS</u>				
8.0	<u>General</u> (a) Rates shall include for: screws, nails, bolts, nuts, standard cable fixing or supporting clips, brackets, straps, rivets, plugs and all incidental accessories (b) Rates for work in trench shall include for: excavation, maintaining faces of excavations, backfilling, compaction, appropriate cable covers, warning tape and disposal of surplus spoil (c) Rates shall include for electrical conduits, fittings, equipment and similar all fixings to various building surfaces and also all electrical work shall be carried out according to Utility Regulatory Authority standards and specifications. (d) Each Light/ light fixture and its switch is measured as one one point; similarly each fan or each socket outlet is measured as one point. (e) Rates shall include for supply and complete installation of fittings and fixtures. (f) Supply & installation of Distribution board inclusive of current meters, circuit breakers, connections and any other accessories required; Rates shall also include connection to main distribution board with underground cable run through HP PVC pipe and safety barrier as described; (g) Max number of lights per series should be 10. Each series should be connected to a digital timer switch				
8.1	<u>ELECTRICAL BOARDS</u>				
1	Supply and Installation of Utility Regulatory Authority approved kWh 3-PHASE Meter	nos	1.00		-
2	Main distribution board (capacity according to requirement)	nos	1.00		-
3	Mini distribution box	nos	2.00		-
	House distribution box	nos	1.00		-
4	16mm ² Cabling to DBs Wiring	nos	4.00		-
8.2	<u>ELECTRIC FIXTURES</u>				
1	Garden lights (1 arm). Garden lights pole design should be approved by submitting to council				

2	 <p>Garden lights for BBQ area (2 arm). Garden lights pole design should be approved by submitting to council</p>	nos	48.00	-
		nos	2.00	-
3	2000W flood light (WITH POLE)	nos	2.00	-
4	Wall mount up-down light (Hut-1)	nos	10.00	-
5	Wall mount fan (Hut-1)	nos	1.00	-
6	Surface mount light (Hut-2)	nos	4.00	-
7	Surface mount light (Toilet block)	nos	5.00	-
8	Single gang switch (Hut 1 Feeding room)	nos	3.00	-
9	Single gang switch (Toilet block)	nos	3.00	-
10	Single gang power socket (Toilet block)	nos	2.00	-
11	Single gang power socket (water proof) (Toilet block)	nos	3.00	-
12	3ft Clock (With Illumination) (Toilet block)	nos	4.00	-

13	Spot light (Name board monument)	nos	4.00	-
14	Digital Timer switch	nos	9.00	-
15	ELCB (63 Amp)	nos	9.00	-
16	MCB (4 pole 3 phase)	nos	1.00	-
17	Circuit breaker (16 Amp)	nos	1.00	-
8.3 ELECTRICAL WIRING				
1	6mm2 cabling to garden lights	nos	48.00	-
2	6mm2 cabling to flood lights	nos	2.00	-
3	2.5mm ² Wiring to Light Points	points	24.00	-
4	2.5mm ² Wiring to Power Points	points	5.00	-
5	2.5mm ² Wiring to clock	points	4.00	-
BILL No: 08 Electrical works				-
TOTAL OF BILL No: 08 - Carried over to summary				-

PROJECT : Boaziyaaraiv beach development

Item	Description	Unit	Qty	Rate	Total
	<u>BILL NO : 09</u> <u>OTHER WORKS</u>				
9.0	<p><u>GENERAL</u></p> <p>(a) Rates shall include for: placing in position; making good after removal of formwork and casting in all required items; additional concrete required to conform to structural and excavated tolerances.</p> <p>(b) Mix ratio for reinforced concrete shall be 1:2:3 and lean concrete shall be 1:2:6 by volume.</p> <p>(c) Quantity is measured to the edges of concrete foundation members. Rates shall be inclusive for any additional concrete</p> <p>(a) Exposed surface shall have fair finish while remaining may have rough finish.</p> <p>(b) Timber used for unexposed concrete surface shall sound dressed and seasoned good quality common timber</p> <p>c) Plywood used for forms shall be of commercial standard, moisture resistane concrete form plywoodnot less than 6mm thick and atleast 12mm thick.</p> <p>(d) Rates shall include for, all necessary boarding, supports, erecting, framing, temporary cambering cutting, perforations for reinforcing bars, bolts, straps, ties, hangers, pipes and removal of formwork.</p> <p>(a) Main reinforcement steel shall be high tensile steel hot rolled deformed bars complying with BS 1119 or BS 1172 Characteristic strength not less than 160N/mm².</p> <p>(b) Stirrups shall be hot rolled mildsteel round bars complying with BS 1119, Characteristic strength not less than 250N/mm²</p> <p>(c) Rates shall include for: distribution steel, cleaning, fabrication, placing, the provision for all necessary temporary fixings, and supports including chairs and tie wire, laps and wastage.</p> <p>a) Rates shall include for cleaning out cavities, forming rebated reveals and pointing and cleaning down to reveals where necessary; fractional size blocks, all necessary machine cutting, cutting or forming chases or edges of floor slabs.</p> <p>b) Cutting or leaving holes and openings as recesses for and building in pipes, conduits, sleeves and similar as required for all trades; leaving surfaces rough or raking out joints for plastering and flashings, bedding frames or plates, building in joints.</p> <p>c) All external wall and all inetrenal walls shall be 100mm thick Solid cement blocks and for masonry mix ratio 1:5 (cement and sand)</p>				
9.1	<u>DISABILITY ACCESS RAMP TO SEA</u>				
1	Concrete works	item	1		-
2	S.S railing	item	2		-


9.2	<u>BOUNDARY WALL</u>				
1	Concrete works	m3	3.12		-
2	Masonry works	m2	126		-
3	Plastering works	m2	252		-
4	Painting	m2	252		-
9.3	<u>WALKWAYS</u>				
1	Laying of concrete paving blocks on the walkways	m2	336		-
2	Outdoor Floor painting on walkways as per drawings /specifications	m2	336		-
9.4	<u>NAME-BOARD MONUMENT</u>				
1	Construction of name-board monument as per drawings & specifications	item	1		-
9.5	<u>CONCRETE BENCH</u>				
1	Construction of concrete benches as per drawings & specifications	nos	12		-
9.6	<u>WATER SLIDE</u>				
1	Complete fabrication and installation of water slide as per drawings & specifications	nos	12		-
BILL No: 09 Other works					-
TOTAL OF BILL No: 09 - Carried over to summary					-

PROJECT : Boaziyaarayiv beach development

Item	Description	Unit	Qty	Rate	Total
BILL NO : 10					
PLUMBING WORKS					
10.0	<p>General</p> <p>(a) Design provide and install plumbing network for the entire park area in accordance to standard set by the local governing body MWSC</p> <p>(b) The following items and description and the plumbing drawings are given as guidance as to the nature of the information to be returned by the contractor.</p> <p>(c) Ground water connection shall be made as specified in the drawings.</p> <p>(d) The cost shall include for; sockets, running joints, connectors, elbows, junctions, reducers, expansion joints, back nuts and similar, incidental fittings, clips, saddles, brackets, straps, hangers, screws, nails , pvc glues, threadseals and fixing complete, including cutting and forming holes, excavating, laying pipes , backfilling trenches.</p> <p>(e) All pipes shall be High Pressure uPVC "Mutha" or equivalent brand.</p> <p>(f) All flush tanks should be connected to well water. Other fixtures should switchable between well water and fresh supply water</p> <p>(g) Pump outlet should be with Gate valve for switching between well water and fresh water supply.</p> <p>(g) Plumbing to showers should have a gate valve</p>				
10.1	FRESH WATER NETWORK				
1	Laying of 2" fresh water main pipe from pump to locations shown in the drawing	item	1.00		-
2	MWSC water supply connection. Application for MWSC connection should be done by the contractor				
10.2	WATER PUMP				
1	Supply and installation of deep well water pump. Contractor to supply specifications of water pump caterable to the beach area for approval Pump should be have pressure tank with a capacity of minimum 100 liters.	item	1.00		-
10.3	PUMP HOUSING				
1	Installation of pump housing as per drawings	item	1.00		-
10.4	WATER WELL				
1	Constructuion of 4ft radius under ground water well	item	1.00		-
10.5	SEWERAGE NETWORK				
1	Laying of main sewerage pipes from toilet block to MWSC catchpit	item	1.00		-
2	MWSC SEWER connection. Application for MWSC connection should be done by the contractor	item	1.00		-
BILL No: 10 Plumbing works					-
TOTAL OF BILL No: 10 - Carried over to summary					-

PROJECT : Boaziyaaraiv beach development

Item	Description	Unit	Qty	Rate	Total
BILL NO : 11					
KIDS PLAY AREA EQUIPMENTS					
11.0	GENERAL (a) Rates shall include for supply nad installation of equipments. (b) All equipments supplied must be brand new. (b) Photos/ specifications of equipment should be submitted for approval before purchasing (c) The photos given in this BOQ are for referal only.				
11.1	PLAY AREA EQUIPMENTS				
1	Playground climbers 	nos	1		-
2	Slides 	nos	1		-
3	Swings 	nos	1		-

3	Spring riders		nos	3			-
BILL No: 11 Kids play area equipments							-
TOTAL OF BILL No: 10 - Carried over to summary							-

PROJECT : Boaziyaaray beach development

Item	Description	Unit	Qty	Rate	Total
12	<u>BILL NO : 12</u> <u>ADDITIONS</u> GENERAL <u>Provision to include quantities as per the drawing which is missed in the bill of quantities.</u>				
BILL No: 12 Additions					-
TOTAL OF BILL No: 12 - Carried over to summary					-

PROJECT : Boaziyaaray beach development

Item	Description	Unit	Qty	Rate	Total
13	<u>BILL NO : 13</u> <u>ADDITIONS</u> GENERAL <u>Provision to remove the excess quantity given in the bill quantities if any as per the drawing details</u>				
BILL No: 13 Additions					-
TOTAL OF BILL No: 13 - Carried over to summary					-